

Pro-Roll



Pro-Roll 15 shown

Pro-Roll 10 / Pro-Roll 15 Wide-Area Contour Rollers

Innovative - Convenient - Versatile - Effective

The **Pro-Roll 10** and **Pro-Roll 15** are versatile wide-area turf rollers with 10'8" or 15' rolling widths. Ideal for smoothing flat or contoured turf, they have been shown to aid in reducing disease pressure and permit a reduction in mowing frequency and chemical usage, while still being gentle enough for use on new growth and delicate turf.

The **Pro-Roll 10** and **Pro-Roll 15** produce consistent compaction, regardless of the terrain profile as each roller is able to independently track changing contours. Solid ballast is easily added to or removed from each roller deck ensuring even compaction across all rollers.

Whether it is a tight corner of a sports field or negotiating around a fairway hazard, the **Pro-Roll** has the ability to make sharp turns without scuffing, all thanks to the four individually-mounted transport tires, smooth roller ends and Progressive's exclusive **Pro Lift-N-Turn™** system.

Best of all, the **Pro-Roll 10** and **Pro-Roll 15** can be used with either a common compact tractor or a wide range of utility vehicles. Now that's Progressive thinking!



The Better Built Choice.™

A game changing step forward in a wide-area turf roller

The **Pro-Roll** has advantages not offered by other wide-area turf rollers!

- ✓ Multiple, short length rollers makes both **Pro-Roll** models very maneuverable and flexible, permitting true ground tracking even in highly contoured turf
- ✓ **Pro Lift-N-Turn™** system: An exclusive but essential feature, permits sharper turns without the fear of scuffing and allows you to quickly exit a fairway when play approaches
- ✓ A **Pro-Roll** is more efficient and effective for dew removal than 2 vehicles pulling a 'snake'
- ✓ Easily adjusted solid ballast allows compaction to be varied between 5.8 and 11.6 psi on each roller*, ensuring that compaction is equally applied to all rollers regardless of terrain

* For comparison: an average man of medium build exerts a compaction of 8 psi per foot while standing



Pro-Roll 15 folded for transport



The **Pro-Roll** is adaptable to changing localized conditions and is ideal for:

- ✓ Golf Courses
 - Fairways
 - Landing zones
 - Greens and Tee Boxes
- ✓ Sports Fields
 - Baseball Diamonds
 - Football / Soccer Fields
- ✓ Corporate campuses
- ✓ Landscape - sod installation
- ✓ Turf Production
- ✓ Parklands and Estates

Features to get the job done - on time and on budget!



Superior Contour Following:

Individual roller assemblies conform to contour changes and provide consistent compaction across the entire width as each roller floats up and down, as well as side to side, independent of the adjacent roller. Individual roller assemblies do not need to be leveled or calibrated. The **Pro-Roll** is more efficient and effective than two tow vehicles and a 'snake' for dew removal.



Easy in the Turns: Pro Lift-N-Turn™

An industry exclusive feature, not found on other turf rollers! **Pro Lift-N-Turn™** allows the operator to easily raise the rollers off the ground during a turn, eliminating any chance of scuffing. When the rollers are lifted, weight is transferred to the 4-wide floatation tires and the tow vehicle.



Roller Assemblies - Durable by Design:

Each of the 26" long, heavy-walled 6 inch diameter steel rollers are housed in a wrap around frame for protection. No exposed welds and a formed end chamfer provides the smoothest roller drum possible. For durability, the pivots are straddle mounted and an over-sized flanged bearing supports the ends of each roller. Replaceable bushings and pins are incorporated at all key pivot points.



Adapts To Your Requirements:

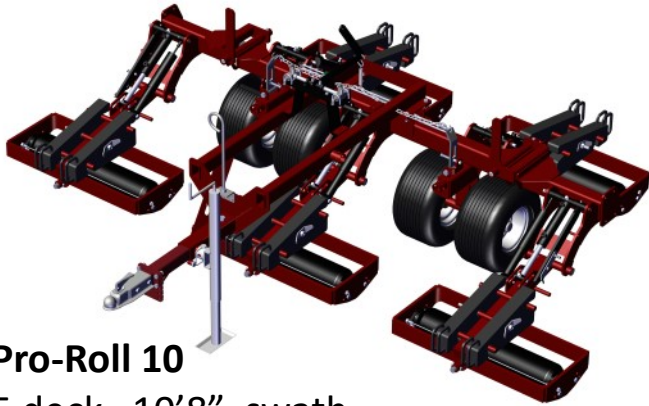
The **Pro-Roll** adapts to changing turf conditions and requirements. Hard packed fairways or athletic fields, need a heavier roller. On rain soaked or new growth areas, lighter compaction is essential. The **Pro-Roll** can accommodate these different demands, and everything in between! To adjust compaction on each roller assembly, up to six 30 lb steel weights can be added or removed as required. Using solid ballast means no time or resource is wasted filling or draining water tanks, and the complexity of a hydraulic down pressure system is eliminated.



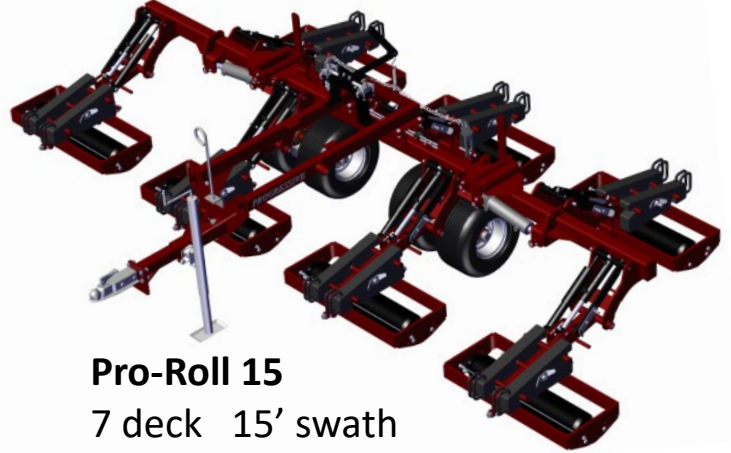
Tow Vehicle Flexibility:

Suitable to be used with either a compact tractor or a utility vehicle, only one hydraulic circuit is needed. A low tongue weight and an adjustable height hitch makes the **Pro-Roll** adaptable to many different tractors and utility vehicles.

Innovative - Convenient - Versatile - Effective



Pro-Roll 10
5 deck 10'8" swath



Pro-Roll 15
7 deck 15' swath

The **Pro-Roll** is available in both 10'8" and 15' rolling widths to match your needs and tow vehicle capacity. A **Pro-Roll 10** can be converted into a **Pro-Roll 15** by bolting on two additional roller decks - increasing productivity 40% while retaining the same contour hugging capabilities and transport width of the 10 foot model

Specifications

	Pro-Roll 10	Pro-Roll 15
Part Number:	670120	670168
Working Width / Overall Width:	10' 8" / 11'4"	15' / 15' 7"
Transport Width	7' 11"	7' 11"
Transport Height / Length:	4' 9" / 9' 9"	6'11" / 9'9"
Weight: without ballast installed	1,500 lb.	1,910 lb.
Weight: with six 30lb. ballast weights per roller	2,400 lb.	3,170 lb.
Production: * assumes no overlap or turning		
4 mph	5.2 acres per hour*	7.3 acres per hour*
6 mph	7.8 acres per hour*	11 acres per hour*
8 mph	10.4 acres per hour*	14.5 acres per hour*
Ground Pressure: (Without weights)	5.8 psi	5.8 psi
Ground Pressure: (With 2 weights per roller)	7.7 psi	7.7 psi
Ground Pressure: (With 4 weights per roller)	9.7 psi	9.7 psi
Ground Pressure: (With 6 weights per roller)	11.6 psi	11.6 psi
Transport Tires:	Four 18.5 x 8.5 - 8 4ply	Four 18.5 x 8.5 - 8 4ply
Std. Equipment:	4 x 30lb ballast weights per roller 20 individual weights total	4 x 30lb ballast weights per roller 28 individual weights total
Opt. Equipment:	2 additional 30 lb. weights for each roller deck, set of 10	2 additional 30 lb. weights for each roller deck, set of 14

Under our policy of continuous improvement, we reserve the right to change specifications and designs without prior notice. The illustrations shown do not necessarily represent the standard version of product offered by Progressive Turf Equipment Inc.

(800) 668-8873 (519) 527-1080 FAX: (519) 527-2275
www.progressiveturfequip.com info@progressiveturfequip.com



The Better Built Choice.™