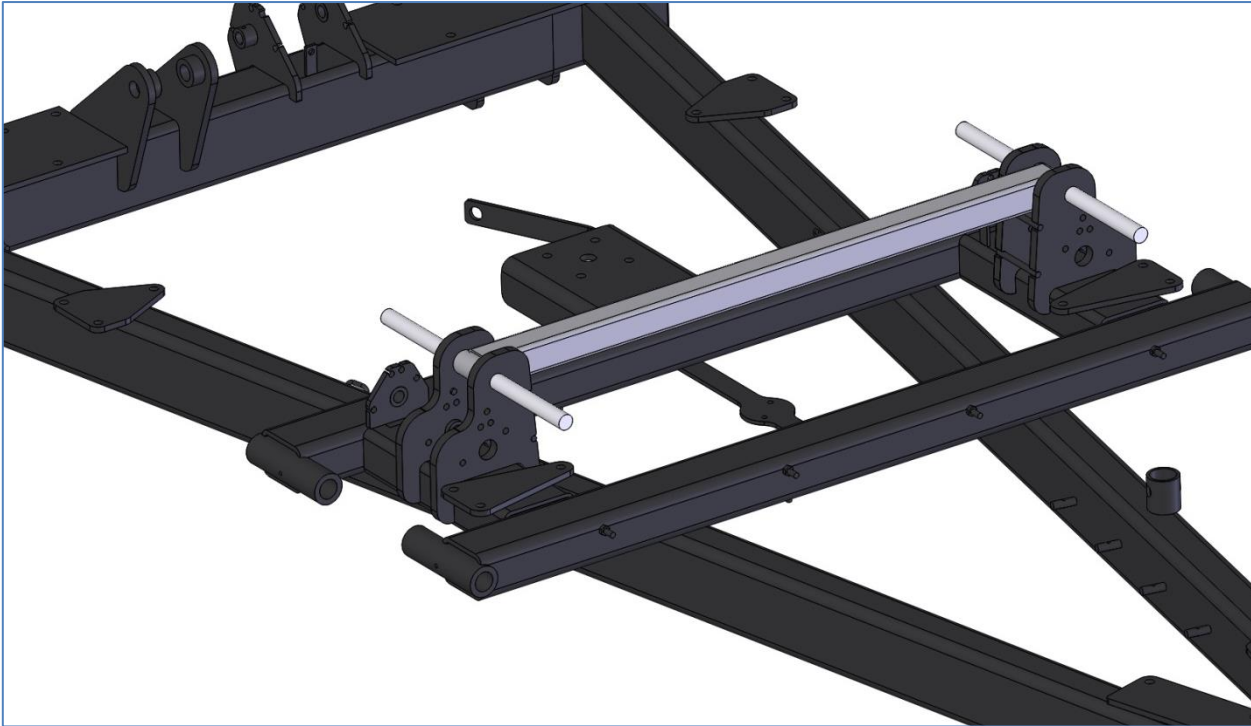


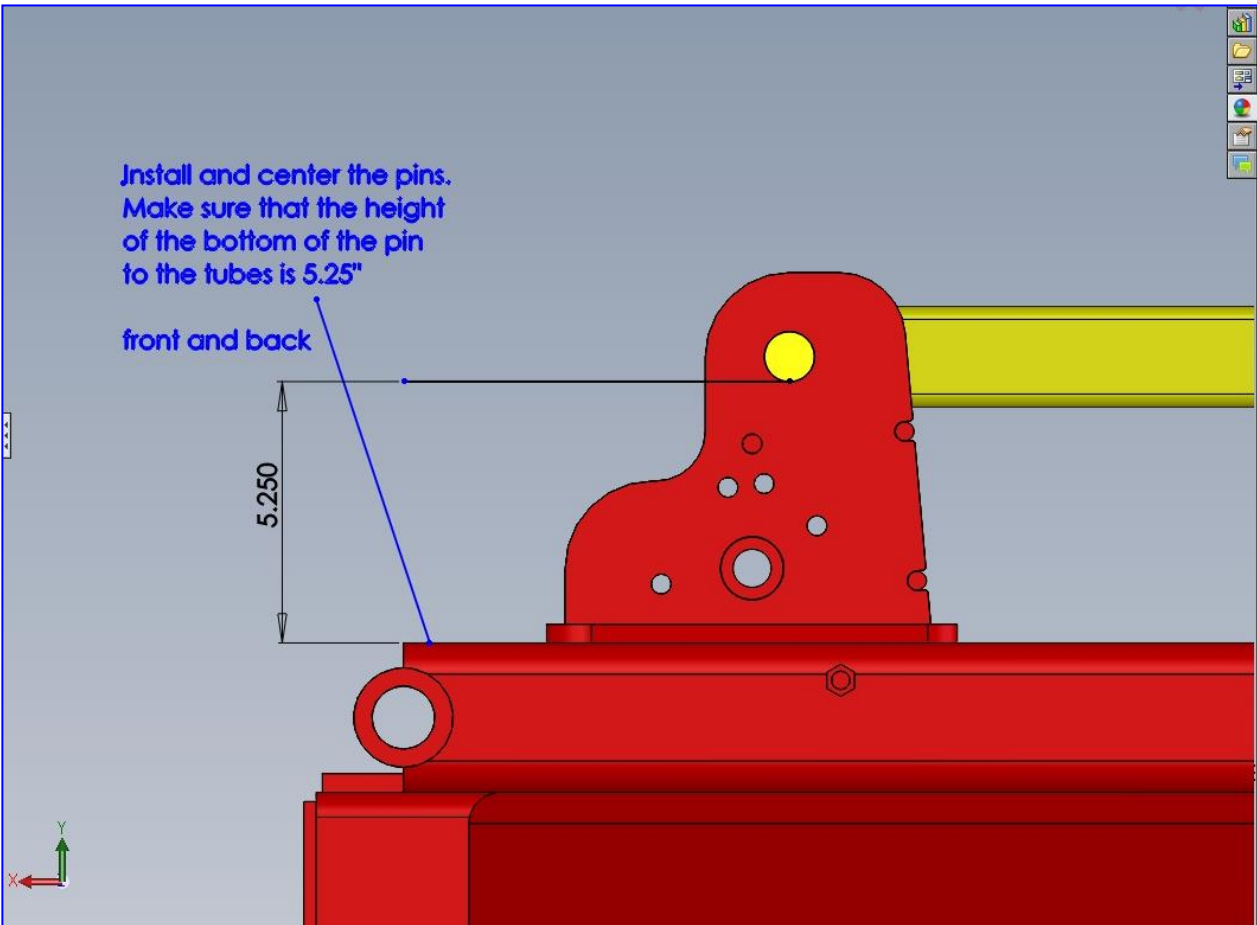
p/n 607410 KIT - FRAME REPAIR KIT



Install and center the pins.
Make sure that the height
of the bottom of the pin
to the tubes is 5.25"

front and back

5.250



.Cut plate off 4.5" above tube.
Only cut and repair one side
at a time

