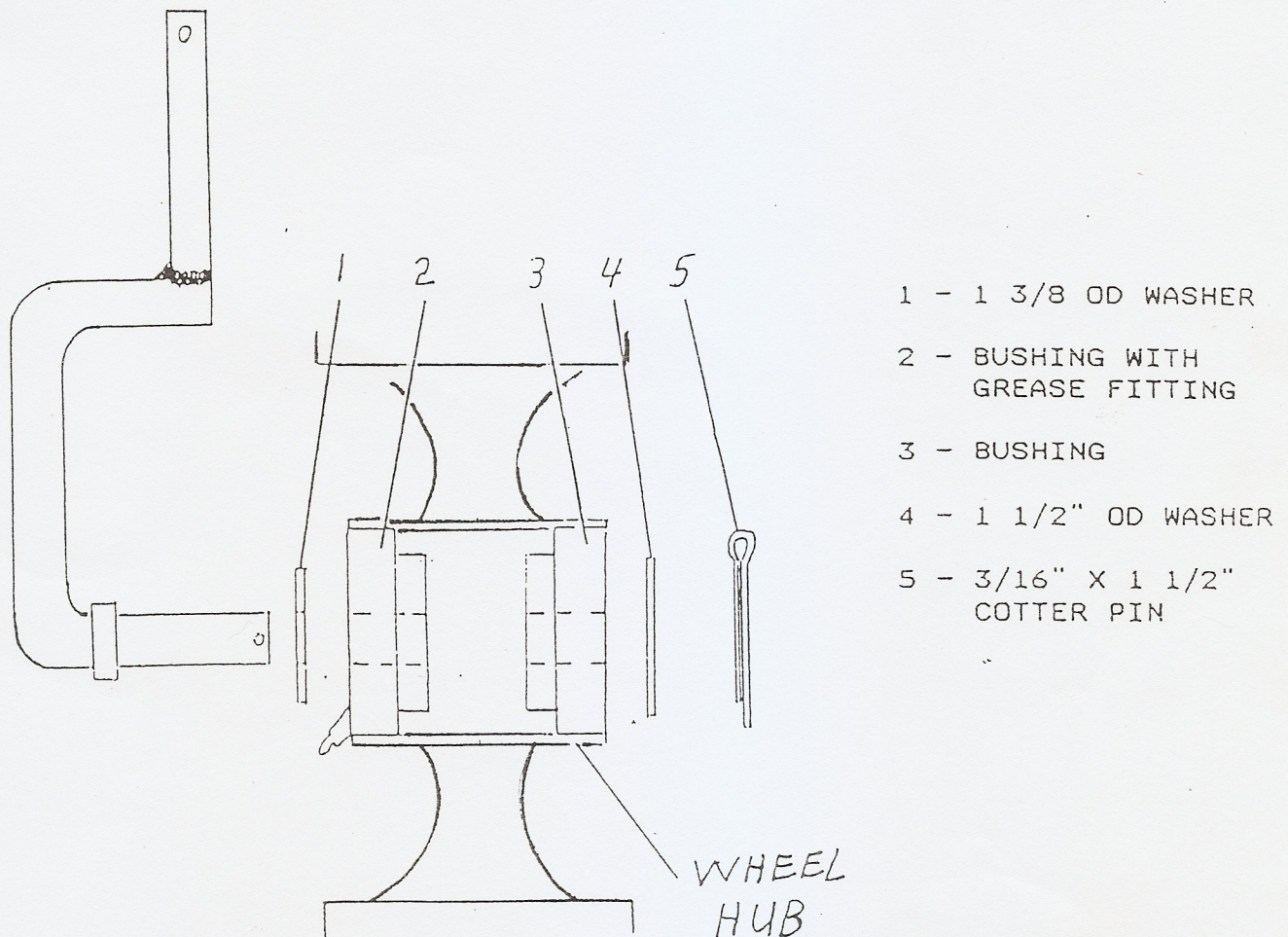


TD-65 (15 1/2') AND TD-65-2 (12')
GAGE WHEEL BEARING REPLACEMENT KIT



Because of moisture problems associated with the 6205 sealed bearings, we have elected to substitute them with bushings.

Our internal testing shows that they will stand up far better than either ball bearings, as we had, and also needle bearings that were tested along side these bushings.

THE KIT SHOULD BE ASSEMBLED AS SHOWN -

- Fill cavity with grease until it can be seen exiting bushings.

If you have any questions, contact your Progressive Turf Equipment dealer.