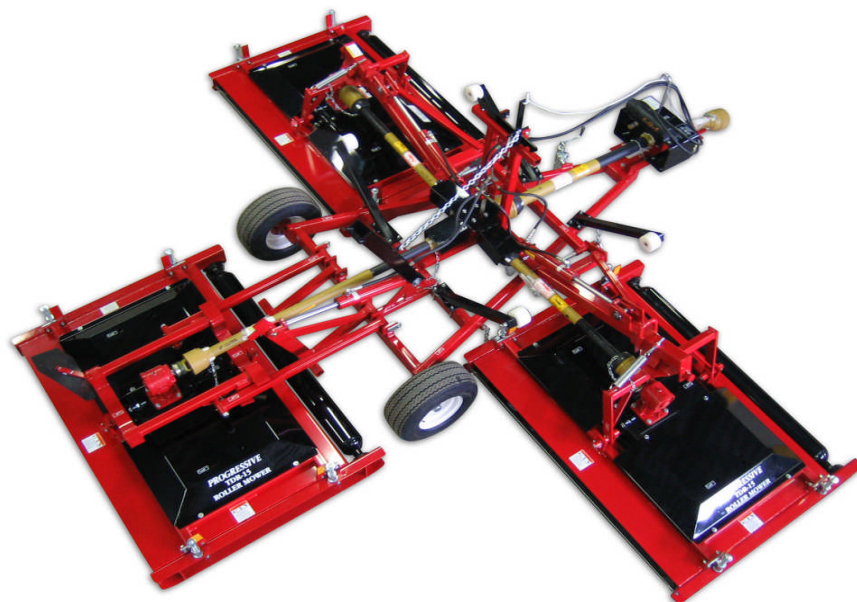


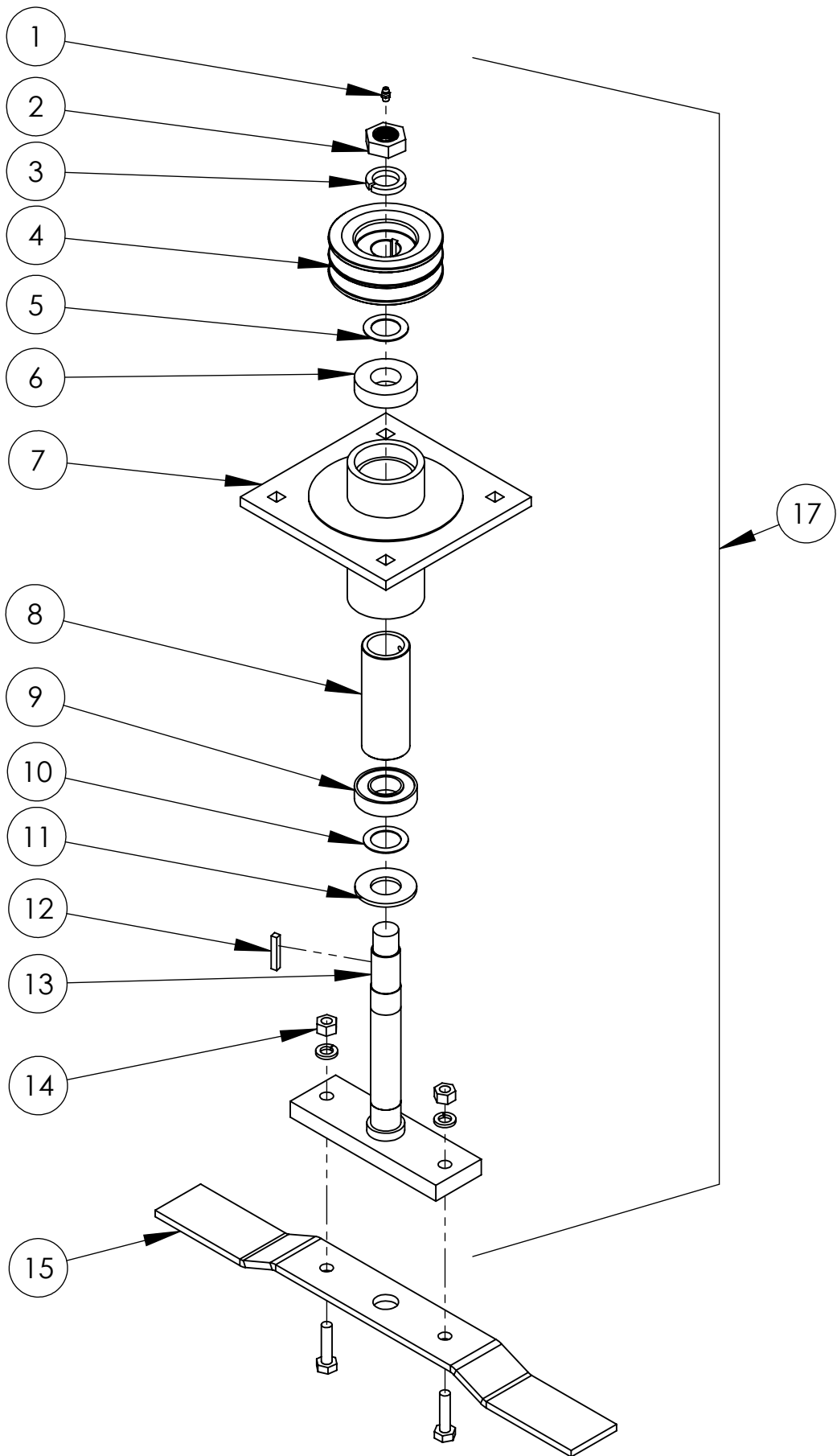
TDR-15 FINISHING MOWER PARTS MANUAL

TABLE OF CONTENTS

<u>DESCRIPTION</u>	<u>PAGE</u>
BLADE SPINDLE ASSEMBLY	2
DECK ASSEMBLY	4
GEARBOX MOUNT ASSEMBLY	6
WING ASSEMBLY	8
REAR LIFT ASSEMBLY	10
MAIN FRAME	12
HYDRUALICS ASSEMBLY	14
DRIVELINE COMPONENTS	16
DECK GEARBOX ASSEMBLY	18
4-WAY GEARBOX ASSEMBLY	20
WING DECK PTO SHAFT	22
INTERMEDIATE PTO SHAFT	23
INPUT PTO SHAFT	24
REAR DECK PTO SHAFT	25

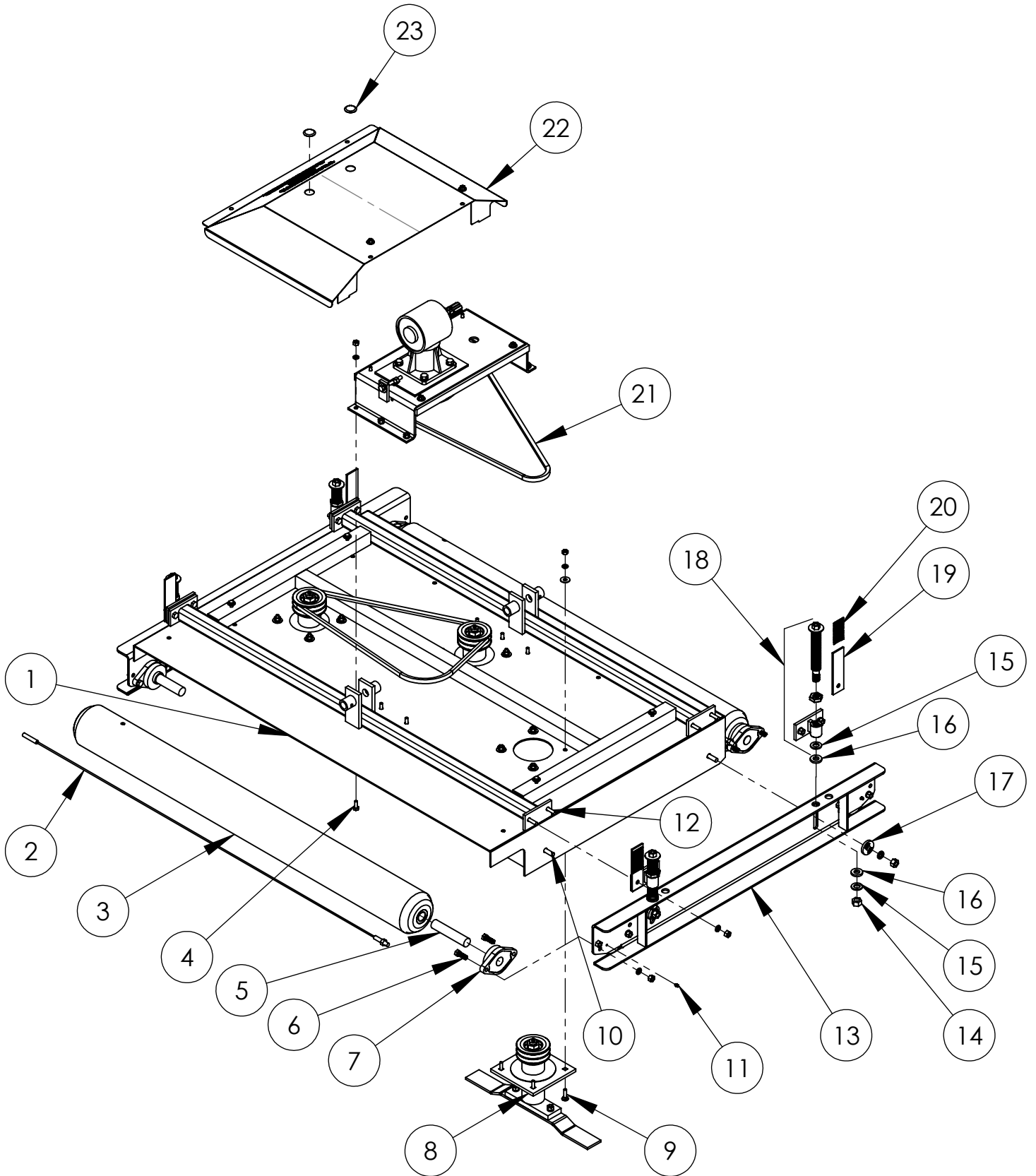


BLADE SPINDLE ASSEMBLY



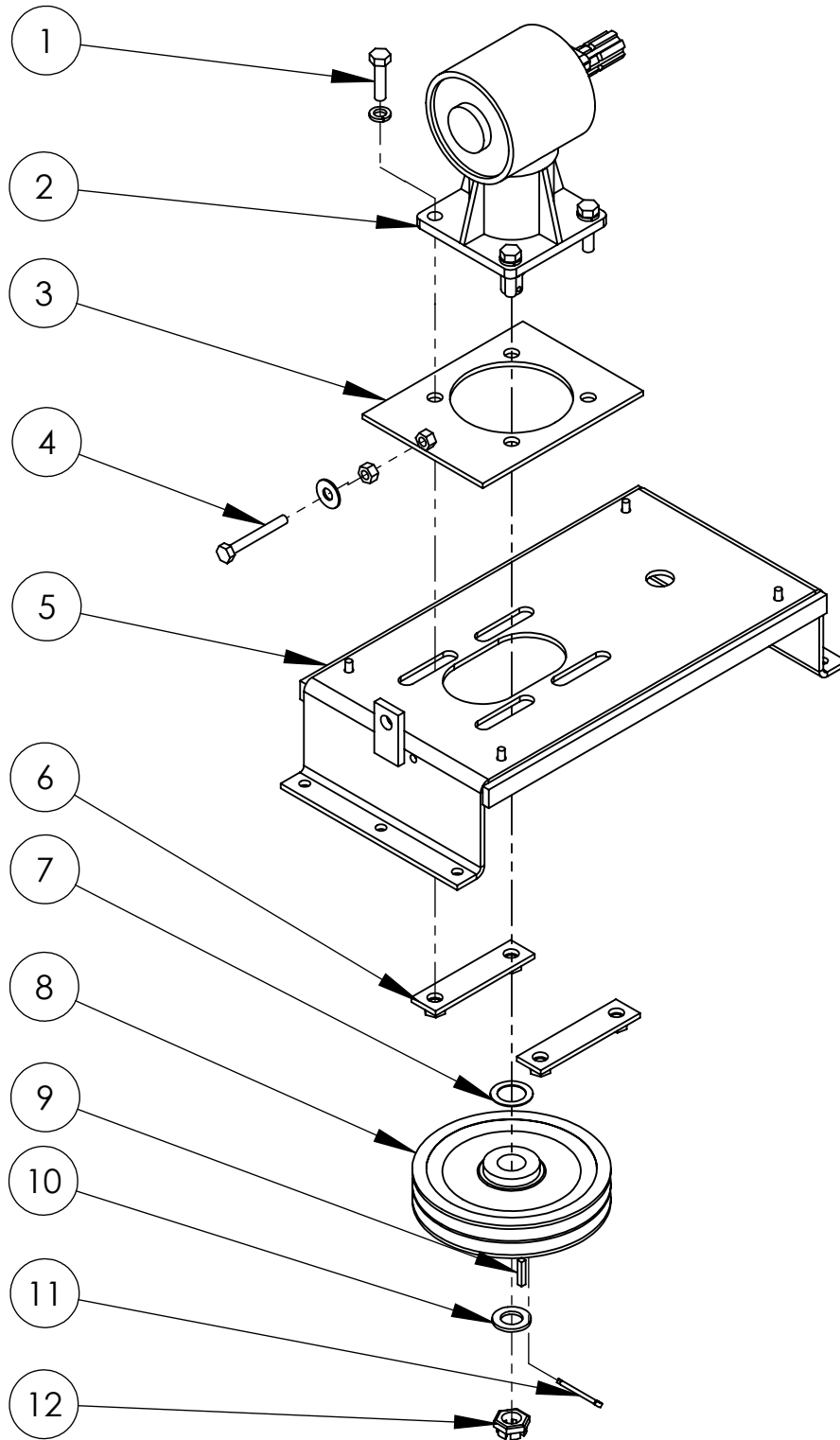
BLADE SPINDLE ASSEMBLY			
ITEM NO.	PART NUMBER	DESCRIPTION	QTY.
1	O.L.	GREASE FITTING 1/4 - 28, STR	1
2	521003	HEX NUT- L.H.	1
3	521002	L.H. BLADE SPINDLE LOCKWASHER (3PER KIT)	1
4	521773	4.4" BLADE SPINDLE PULLEY	1
5	521301	1.125" SHIM WASHER (9PCS)	1
6	521302	BEARING - TOP	1
7	524220	TDR-15 BLADE SPINDLE HUB	1
8	524222	BEARING SPACER TUBE	1
9	521701	BOTTOM BEARING	1
10	521305	SHIM WASHER 1.188" (9PCS)	1
11	521306	SPINDLE DIRT SHIELD (3PCS)	1
12	O.L.	1/4" SQ. x 1 9/16" KEY	1
13	524224	TDR-15 BLADE SPINDLE	1
14	O.L.	1/2" x 1 3/4" GR5 HEX BOLT, LOCKWASHER AND NUT	2
15	522603	BLADE 23" HIGH LIFT (9PCS)	1
-	522606	BLADE 23" LOW LIFT (9PCS)	1
17	524230	COMPLETE BLADE SPINDLE ASSEMBLY	9
-	-	NOTE: QUANTITIES ARE FOR ONE COMPLETE SPINDLE ASSEMBLY	-
-	-	O.L. - OBTAIN LOCALLY	-

DECK ASSEMBLY



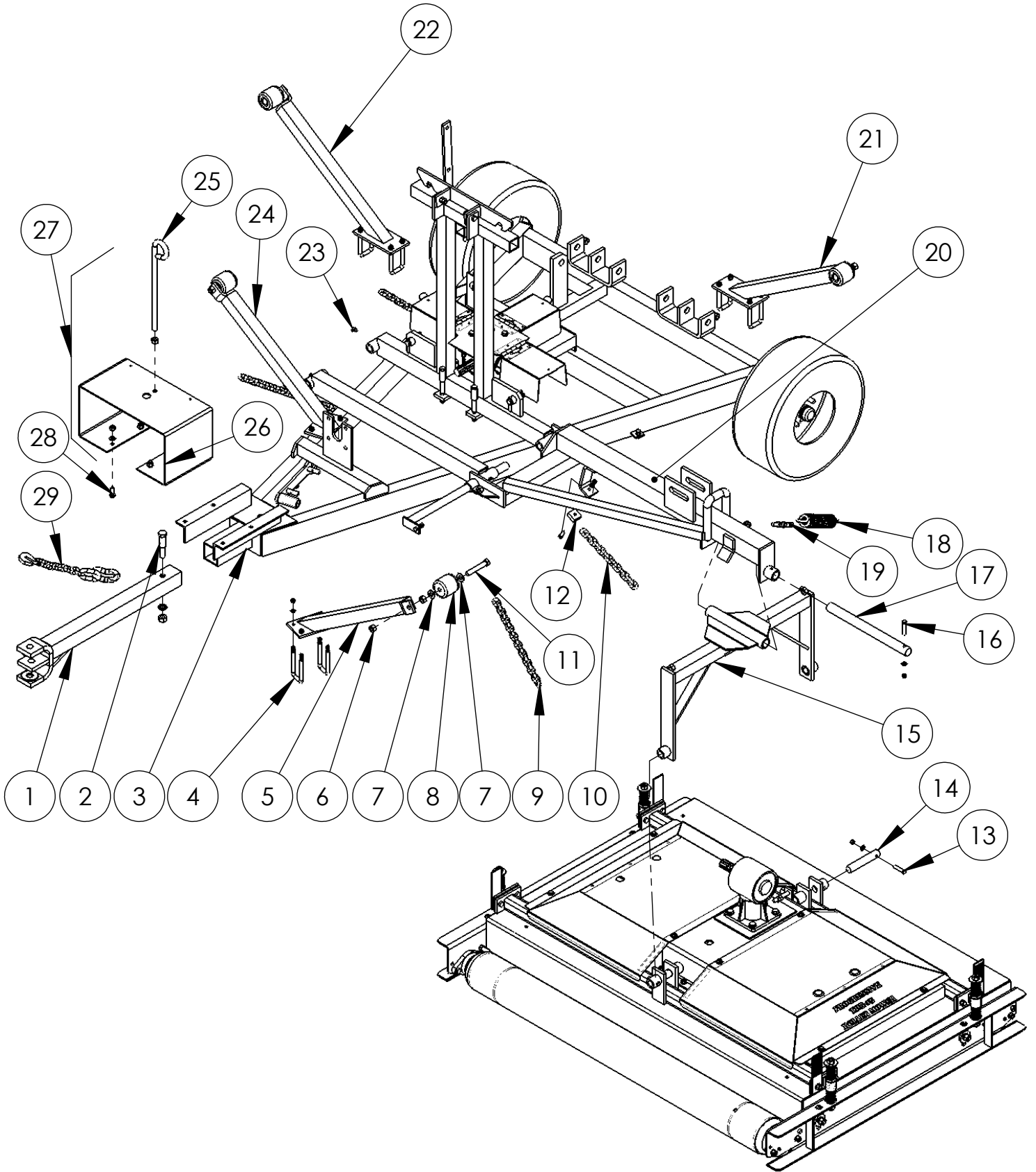
DECK ASSEMBLY			
ITEM NO.	PART NUMBER	DESCRIPTION	Default/ QTY.
1	524178	DECK - TDR-15	1
2	524221	TDR15 ROLLER WIPER ASSEMBLY	2
3	524216	DECK ROLLER WITH SHAFTS	2
4	O.L.	7/16" x 1" BOLT, LOCKWASHER AND NUT	6
5	526494	1 1/4" ROLLER SHAFT WITH LOCTITE 641	4
6	O.L.	1/2" x 1 1/2" GR5 HEX BOLT, LOCKWASHER AND NUT	8
7	213017	1 1/4" FLANGE BEARING 2 BOLT	4
8	524230	BLADE SPINDE ASSEMBLY	3
9	O.L.	7/16" x 1 1/2" GR5 CARRIAGE BOLT, LOCKWASHER AND NUT	12
10	O.L.	5/8" x 2" GR5 CARRIAGE BOLT, LOCKWASHER AND NUT	4
11	O.L.	GREASE FITTING 1/4 - 28, STR	4
12	O.L.	1/2" x 1 3/4" GR5 HEX BOLT, LOCKWASHER AND NUT	8
13	524190	TDR-15 DECK CHANNEL	2
14	O.L.	3/4"NC GRB ALL METAL LOCK NUT	4
15	526365	3/4" FLAT WASHER(8 PER KIT)	1
16	526137	DECK ADJ. NYLON WASHER (8 PER KIT)	1
17	526148	CHANNEL CLAMP WASHER (4 PER KIT)	1
18	526252	HEIGHT ADJUSTMENT KIT (8PC KIT) COMES WITH ITEMS 14,15 AND 16.	12
19	526125	HEIGHT DECAL PLATE	4
20	526491	TDR HEIGHT DECAL KIT (6PCS)	2
21	521315	BELT - B69	2
22	524154	TDR-15 DECK SHIELD	2
23	526135	SNAP IN HOLE PLUG (8 PER KIT)	1
-	-	NOTE: QUANTITIES ARE FOR ONE DECK ASSEMBLY ONLY	-
-	-	O.L. - OBTAIN LOCALLY	-

GEARBOX MOUNT ASSEMBLY



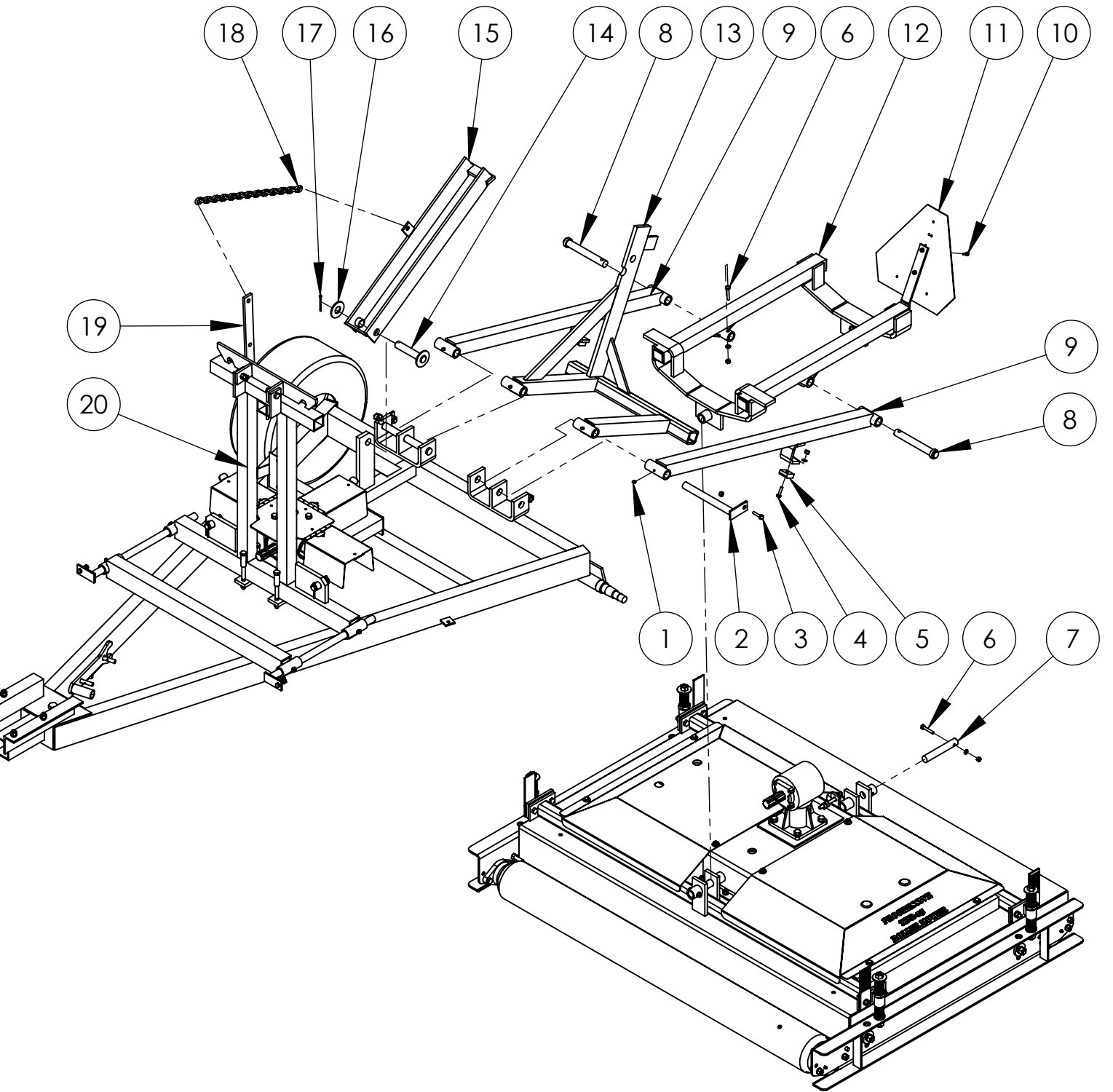
GEARBOX MOUNT ASSEMBLY			
ITEM NO.	PART NUMBER	DESCRIPTION	QTY.
1	O.L.	9/16" x 2" GR5 HEX BOLT, LOCK WASHER	4
2	521012	GEARBOX - DECK	1
3	521013	SLIDE PLATE	1
4	O.L.	1/2" x 3 1/2" GR5 TAP BOLT, FLATWASHER AND NUT	1
5	521019	GEARBOX MOUNT	1
6	521018	STIFFENER NUT BRACKET	2
7	301117	SHIM WASHER - 1.250"	1
8	521774	MAIN DRIVE PULLEY 8.7"	1
9	521390	KEY 1/4" x 1 5/16 (3 PER KIT)	1
10	301123	WASHER - 25 X 44 X 4	1
11	O.L.	3/16" x 1 1/2" COTTER PIN	1
12	521130.01	CASTLE NUT - M24	1
-	-	NOTE: QUANTITIES ARE FOR ONE DECK GEARBOX ASSEMBLY ONLY	-
-	-	O.L. - OBTAIN LOCALLY	-

WING ASSEMBLY



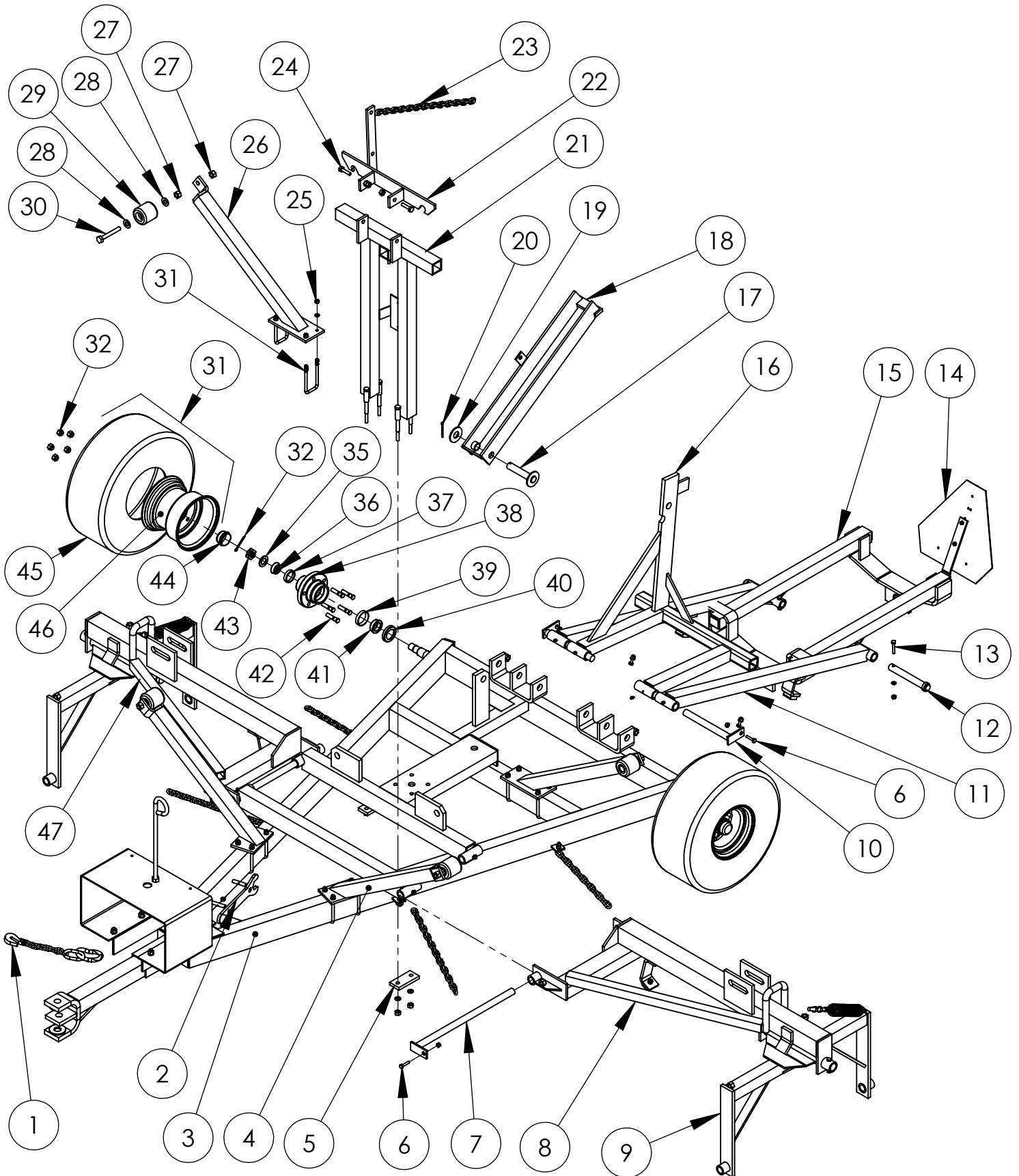
WING ASSEMBLY			
ITEM NO.	PART NUMBER	DESCRIPTION	WING ASSEMBLY/ QTY.
1	521322	4 POSITION HITCH	1
2	O.L.	3/4" x 4" GR 5 HEX BOLT, LOCKWASHER AND NUT	1
3	524142	TDR-15 MAIN FRAME	1
4	524184	STANDOFF U BOLT	8
5	524196	FRONT STANDOFF LEFT - TDR-15	1
6	O.L.	5/8" HEX NUT	10
7	526385	STANDOFF ROLLER WASHER (8 PER KIT)	1
8	526039	DECK STANDOFF ROLLER	4
9	524212	TDR-15 FRONT STANDOFF CHAIN	2
10	524214	TDR-15 REAR STANDOFF CHAIN	2
11	O.L.	5/8" x 4" GR 5 HEX BOLT	4
12	600512	BUMPER KIT (4 PER KIT)	1
13	O.L.	3/8" x 2" GR 5 HEX BOLT, LOCKWASHER AND NUT	8
14	521337	DECK LIFT PIN	6
15	521357	DECK SWIVEL	2
16	O.L.	3/8" x 2 1/4" GR 5 HEX BOLT, LOCKWASHER AND NUT	2
17	521338	WING SWIVEL PIN 1 6 3/4"	2
18	521431	2" x 10" SPRING	2
19	521102	SPADE BOLT 1/2" x 3 1/2" W NUTS	2
20	524148	L.H. WING	1
21	524194	REAR LEFT STANDOFF - TDR-15	1
22	524192	REAR RIGHT STANDOFF - TDR-15	1
23	O.L.	1/4-28 GREASE FITTING 90°	4
24	524198	FRONT STANDOFF RIGHT-TDR-15	1
25	521711.02	HOSE SUPPORT ROD	1
26	522308	HOSE SUPPORT SHIELD	1
27	522408	HOSE SUPPORT AND SHIELD COMPLETE	
28	O.L.	1/2" x 1 1/4" GR 5 HEX BOLT, LOCKWASHER AND NUT	4
29	521048	SAFETY CHAIN	1
-	-	NOTE: QUANTITIES ARE FOR ONE COMPLETE MOWER	-
-	-	O.L. - OBTAIN LOCALLY	-

REAR LIFT ASSEMBLY



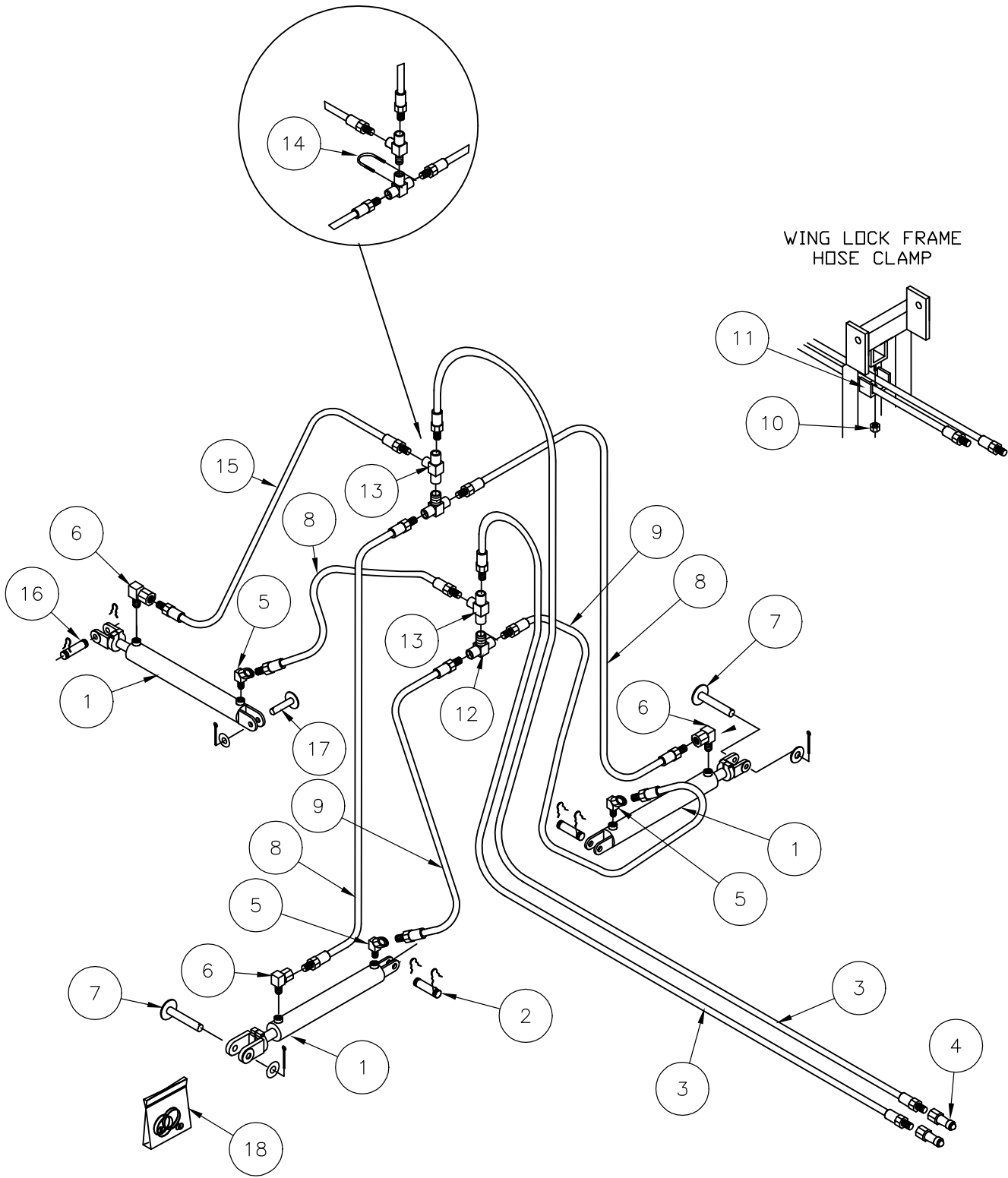
REAR LIFT ASSEMBLY			
ITEM NO.	PART NUMBER	DESCRIPTION	REAR LIFT/QTY.
1	O.L.	GREASE FITTING 1/4 - 28, STR	6
2	521094	LIFT ARM PIVOT PIN	2
3	O.L.	3/8" x 1 1/2" GR5 HEX BOLT, LOCKWASHER AND NUT	5
4	O.L.	3/8" x 1 1/4" GR5 HEX BOLT, LOCKWASHER AND NUT	8
5	600512	BUMPER KIT (4 PER KIT)	1
6	O.L.	3/8" x 2" GR5 HEX BOLT, LOCKWASHER AND NUT	8
7	521337	DECK LIFT PIN	6
8	526254	REAR SWIVEL PIN	2
9	524162	TDR 15 REAR DECK LIFT ARM	2
10	O.L.	1/4" x 3/4" GR5 HEX BOLT, LOCKWASHER AND NUT	2
11	521353	S.M.V SIGN	1
12	524168	TDR-15 REAR SWIVEL	1
13	522004	REAR DECK PICK UP FRAME	1
14	521081	REAR CYLINDER PIN	1
15	521841	REAR DECK SAFETY - TD 65	1
16	O.L.	1" FLAT WASHER	3
17	O.L.	3/16" x 1 1/2" COTTER PIN	11
18	524210	TDR-15 PULL CHAIN	1
19	521330	WING SAFETY LOCK	1
20	521329	TD65 WING LOCK FRAME	1
-	-	NOTE: QUANTITIES ARE FOR ONE COMPLETE MOWER	-
-	-	O.L.: OBTAIN LOCALLY	-

MAIN FRAME



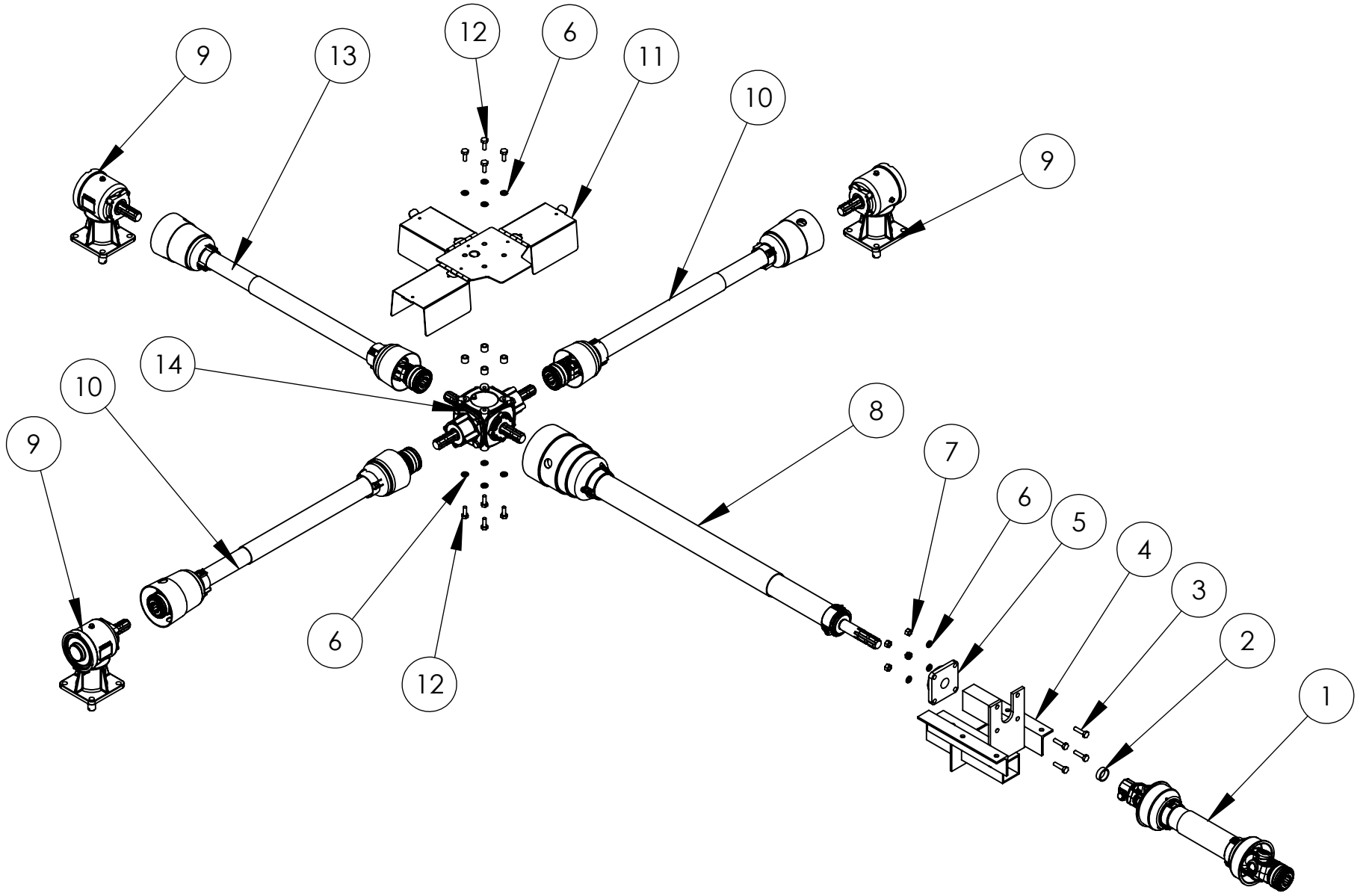
MAIN FRAME			
ITEM NO.	PART NUMBER	DESCRIPTION	MAIN FRAME/QTY.
1	521048	SAFETY CHAIN	1
2	526094	TDR HEIGHT ADJ WRENCH	1
3	524142	TDR-15 MAIN FRAME	1
4	524196	FRONT STANDOFF LEFT - TDR-15	1
5	521325	LOCK FRAME MOUNTING BRKTS	2
6	O.L.	3/8" x 1 1/2" GR5 HEX BOLT, LOCKWASHER AND NUT	4
7	521356	TD-65 WING PIN	2
8	524148	L.H. WING	1
9	521357	DECK SWIVEL	2
10	521094	LIFT ARM PIVOT PIN	2
11	524162	TDR 15 REAR DECK LIFT ARM	2
12	526254	REAR SWIVEL PIN	2
13	O.L.	3/8" x 2" GR5 HEX BOLT, LOCKWASHER AND NUT	8
14	521353	S.M.V SIGN	1
15	524168	TDR-15 REAR SWIVEL	1
16	522004	REAR DECK PICK UP FRAME	1
17	521081	REAR CYLINDER PIN	1
18	521841	REAR DECK SAFETY - TD 65	1
19	O.L.	1" FLAT WASHER	3
20	O.L.	3/16" x 1 1/2" COTTER PIN	11
21	521329	TD65 WING LOCK FRAME	1
22	521330	WING SAFETY LOCK	1
23	524210	TDR-15 PULL CHAIN	1
24	O.L.	1/2" x 1 3/4" GR 5 HEX BOLT, NUT	2
25	O.L.	3/8" HEX NUT & LOCKWASHER	38
26	524192	REAR RIGHT STANDOFF - TDR-15	1
27	O.L.	5/8" GR5 HEX NUT	10
28	526385	STANDOFF ROLLER WASHER (8 PER KIT)	1
29	526039	DECK STANDOFF ROLLER	4
30	O.L.	5/8" x 4" GR5 HEX BOLT	4
31	524184	STANDOFF U BOLT	8
32	521327	WHEEL NUT KIT (5 PCS)	2
33	230056	TRANSPORT WHEEL - 20.5x8-10 LRE	2
34	O.L.	3/16" x 1 1/2" COTTER PIN	3
35	521746	WASHER (2 PCS)	2
36	521745	BEARING - TAPER ROLLER	2
37	521744	BEARING RACE - OUTER	2
38	521754	HUB 3500# - TRANSPORT	2
39	521743	BEARING RACE- INNER	2
40	521741	GREASE SEAL	2
41	521742	BEARING - TAPER ROLLER	2
42	521755	PRESS IN WHEEL STUD (5 PCS)	2
43	521747	HEX NUT - CASTELATED (2 PCS)	1
44	521748	DUST CAP	2
45	230060	TRANS TIRE 20.5 x 8 x 10 LRE	2
46	230062	RIM 10x6x5/4.5	2
47	524146	R.H. WING	1
-	-	NOTE: QUANTITIES ARE FOR ONE COMPLETE MOWER	-
-	-	O.L.: OBTAIN LOCALLY	-

HYDRAULICS



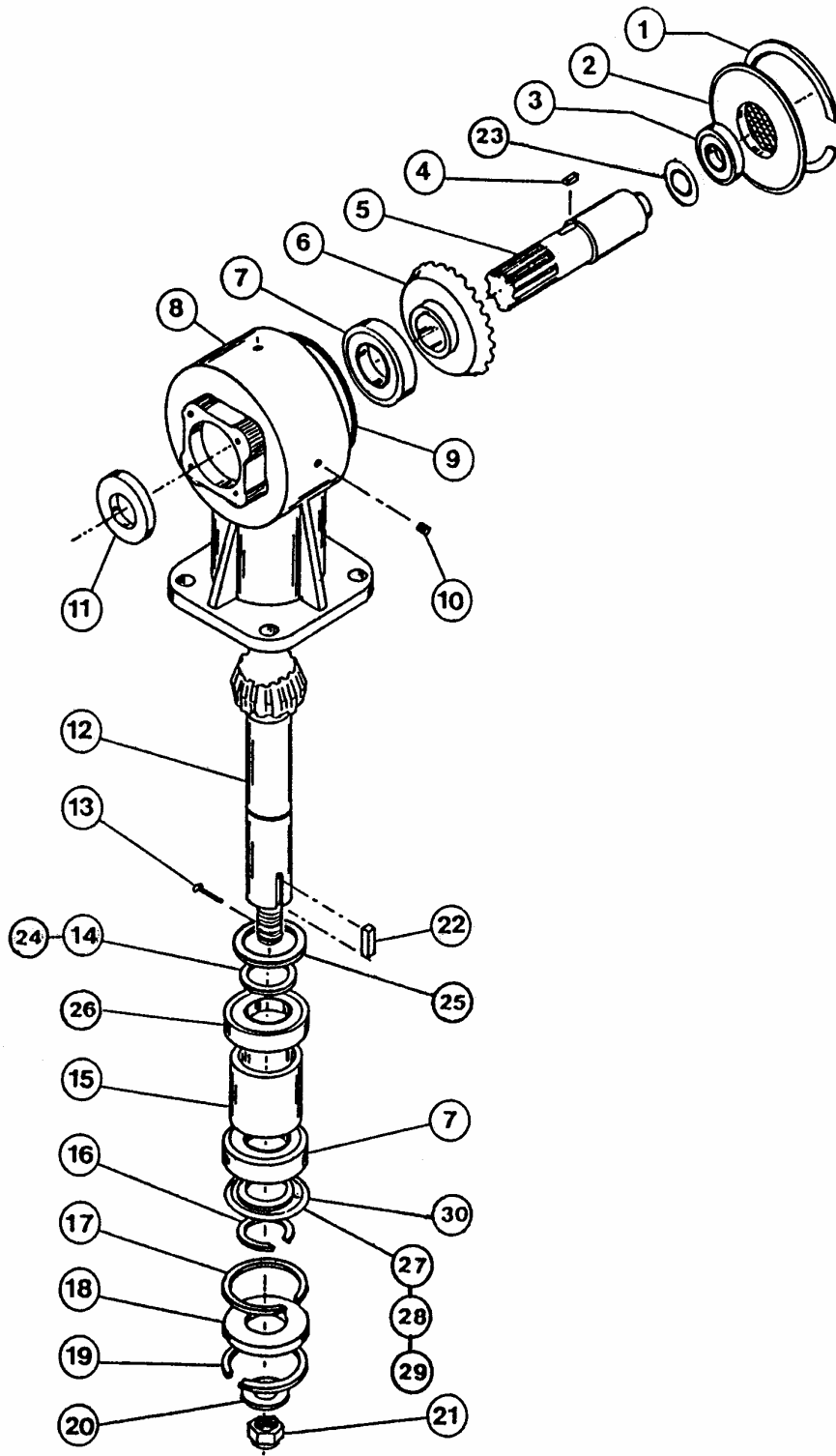
HYDRAULICS			
ITEM	PART NUMBER	DESCRIPTION	QTY
1	522300	2 1/2" HYDRAULIC CYLINDER	3
2	521345	1" X 2.938" PIN AND CLIPS	2
3	521334	110" HYDRAULIC LINE	2
4	222006	HOSE END - 1/2" (2PCS/KIT)	1
5	521063	45 DEGREE SWIVEL STREET ELBOW	3
6	521336	90° 3/8" RESTRICTOR (0.035)	3
7	521103	1" X 4 3/4" PIN - WING CYLINDER	2
8	521769	31" HYDRAULIC LINE	3
9	521335	24" HYDRAULIC LINE	3
10	O.L.	3/8" LOCKNUT	1
11	521051	HYDRAULIC HOSE CLAMP	1
12	521416	MALE BRANCH TEE	2
13	521770	3/8" TEE	2
14	521071	"U" BOLT, NUTS, AND LOCKS	2
15	521415	43" HYDRAULIC LINE	1
16	521350	1" x 3.563" PIN	1
17	521081	1" X 5 1/4" PIN- REAR CYLINDER	1
18	521814	SEAL KIT FOR 2 1/2" CYLINDER	-
-	-	NOTE: QUANTITIES ARE FOR COMPLETE MOWER	-
-	-	O.L.: OBTAIN LOCALLY	-

DRIVE LINE COMPONENTS



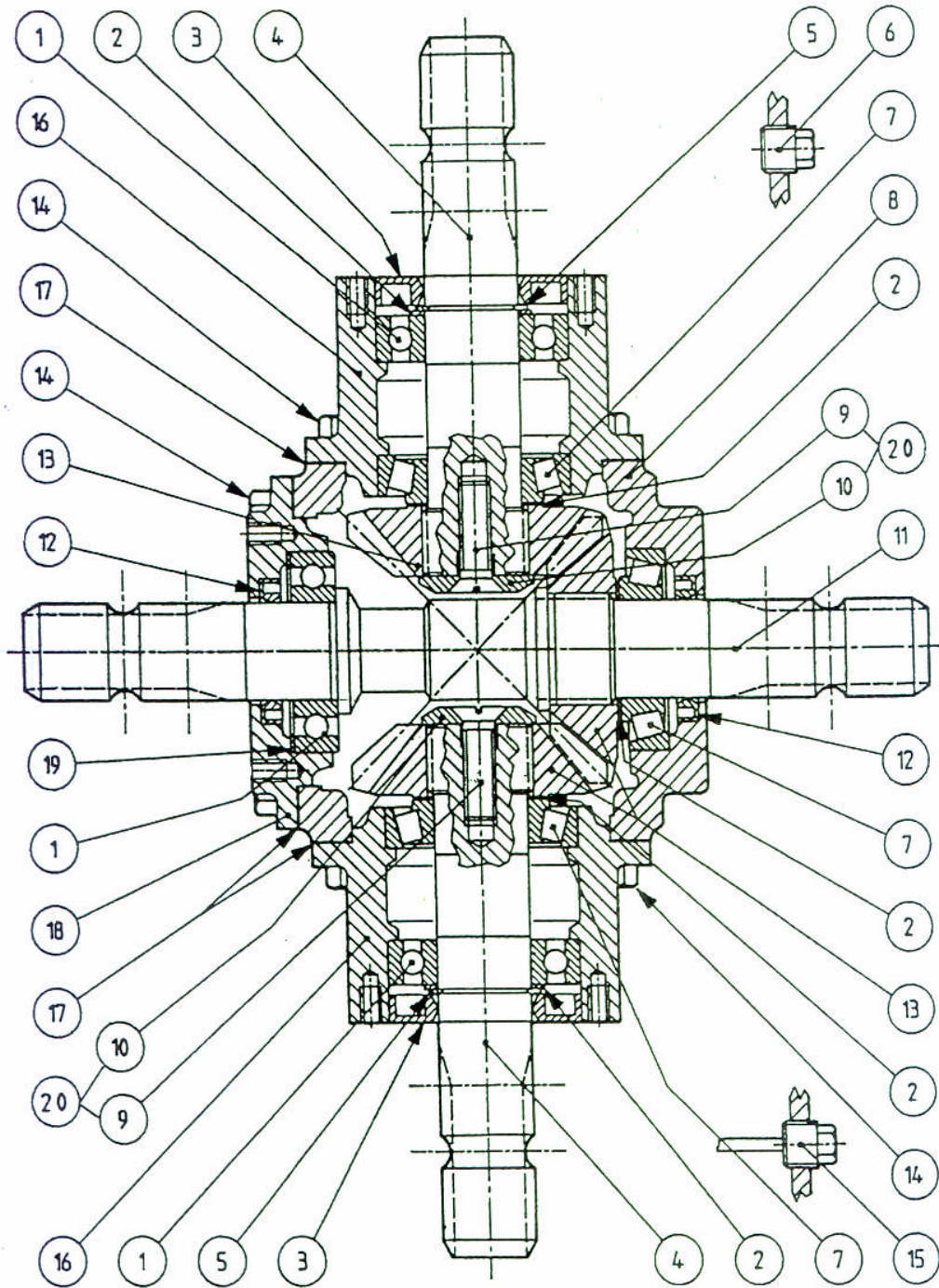
DRIVELINE COMPONENTS			
ITEM NO.	PART NUMBER	DESCRIPTION	Default/ QTY.
1	521738	INPUT PTO SHAFT	1
2	521789	PTO SPACER - 9/16"	1
3	O.L.	1/2" x 1 3/4" GR 5 HEX BOLT	4
4	524142	TDR-15 MAIN FRAME	1
5	521323	HOUSED FLANGE BEARING 1 3/8"	1
6	O.L.	1/2" LOCKWASHER	12
7	O.L.	1/2" GR 5 NUT	4
8	521725	INTERMEDIATE PTO SHAFT	1
9	521012	DECK GEAR BOX	3
10	521718	WING DECK PTO SHAFT	2
11	522463	4-WAY GEARBOX COVER	1
12	O.L.	M12 x 30 GR 8.8 HEX BOLT, LOCK (8 PC KIT)	1
13	524240	REAR DECK PTO SHAFT	1
14	521497	4-WAY GEARBOX	1
15	521197	GEARBOX COVER SPACER	4
-	-	NOTE: QUANTITIES ARE FOR ONE COMPLETE MOWER	-
-	-	O.L. - OBTAIN LOCALLY	-

DECK GEARBOX



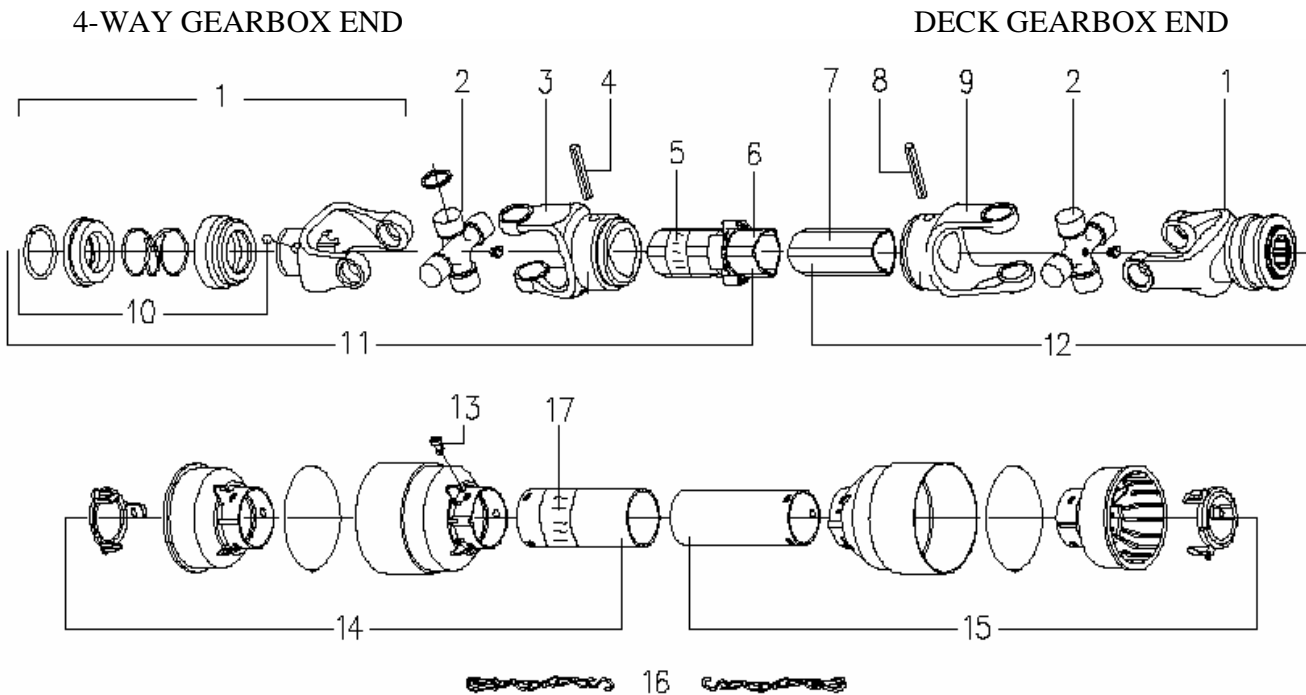
DECK GEARBOX			
ITEM	PART #	DESCRIPTION	QTY
1	521110	SNAP RING	1
2	521111	COVER PLATE	1
3	521112	BEARING - 6205	1
4	521113	KEY - 10 X 8 X 30	1
5	521114	SHAFT - 1 3/8" X 6 SPLINE	1
6	521115	GEAR	1
7	521116	BEARING - 6207	2
8	521117	CASING	1
9	521118	O - RING	1
10	521482	3/8" PIPE PLUG	2
11	521120	OIL SEAL - 35 X 52 X 7	1
12	521121	PINION SHAFT	1
13	521122	COTTERPIN - B5 X 50	1
14	521123	SHIM - 259.7504 AR (3PC/KIT)	2
15	521124	SPACER TUBE	1
16	521125	SNAP RING - 35 UNI 7435 (3PC/KIT)	1
17	521126	SNAP RING - 72 UNI 7437 (3PC/KIT)	1
18	521127	DOUBLE LIP SEAL - 35 X 72 X 10/8	1
19	521128	SNAP RING - SB72	1
20	521129	WASHER 25 X 44 X 4 (3PC/KIT)	1
21	521130	CASALATED NUT M24 X 2	1
22	521390	KEY - 1/4" X 1/4" X 1 5/16"	1
23	521359	SHIM	1
24	521360	SHIM 259.7503 AR	1
25	521361	SPACER RING TAPERED	1
26	521362	BEARING TAPERED (30207A)	1
27	521491	SHIM - 248.7505 (KIT) AR	1
28	521491	SHIM - 248.7504 (KIT) AR	1
29	521491	SHIM - 248.7503 (KIT) AR	1
30	521366	SHIM - 259.7505 AR	1
	521012	COMPLETE DECK GEARBOX	1
-	-	NOTE: QUANTITIES ARE FOR ONE COMPLETE MOWER	-
-	-	O.L. - OBTAIN LOCALLY	-

4 – WAY GEARBOX ASSEMBLY



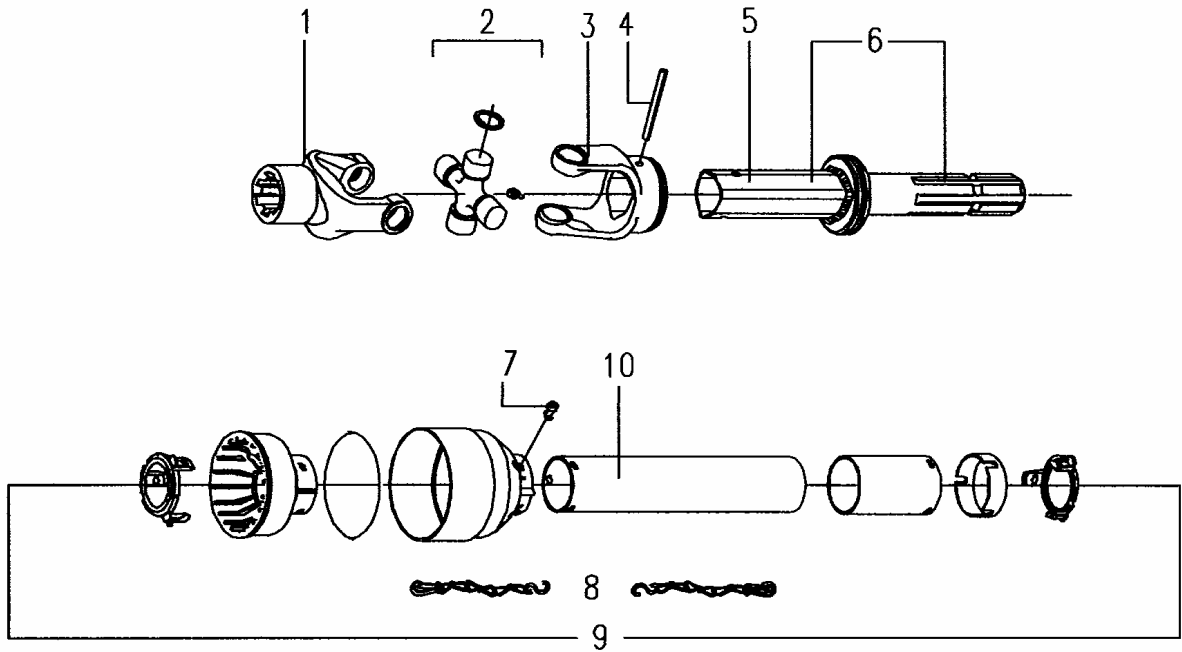
4-WAY GEARBOX ASSEMBLY			
ITEM	PART NO.	DESCRIPTION	QTY
1	521116	BEARING 6207	3
2	521794	SHIM KIT - 48.0	6
3	521127	OIL SEAL - 35 X 72 X 10/7	2
4	521481	STUB SHAFT - 1 3/8" SPLINE	2
5	521137	SNAP RING - 35 UNI 7435	4
6	521482	3/8" PIPE PLUG	2
7	521362	BEARING - 30207	3
8	521483	HOUSING	1
9	ITEM 20	BOLT - M12 X 40 - 10.9	2
10	ITEM 20	WASHER BLANK	2
11	521486	THRU SHAFT 1 3/8" X 1 3/8"	1
12	521120	OIL SEAL - 35 X 52 X 7	2
13	521487	GEAR Z18 M5	3
14	521488	BOLT - M12 X 25 - 8.8 KIT (6 PCS)	2
15	521489	OIL LEVEL DIPSTICK	1
16	521796	EXTENSION HOUSING	2
17	521793	GASKET	3
18	521797	COVER	1
19	521491	WASHER - SHIM (60 X 72) (3 PCS)	1
20	522426	BOLT KIT - ITEMS 9 (2) & 10 (2)	1
*****	521497	COMPLETE GEAR BOX	1
-	-	QUANTITIES ARE FOR ONE COMPLETE MOWER	-
-	-	O.L. - OBTAIN LOCALLY	-

WING DECK PTO ASSEMBLY



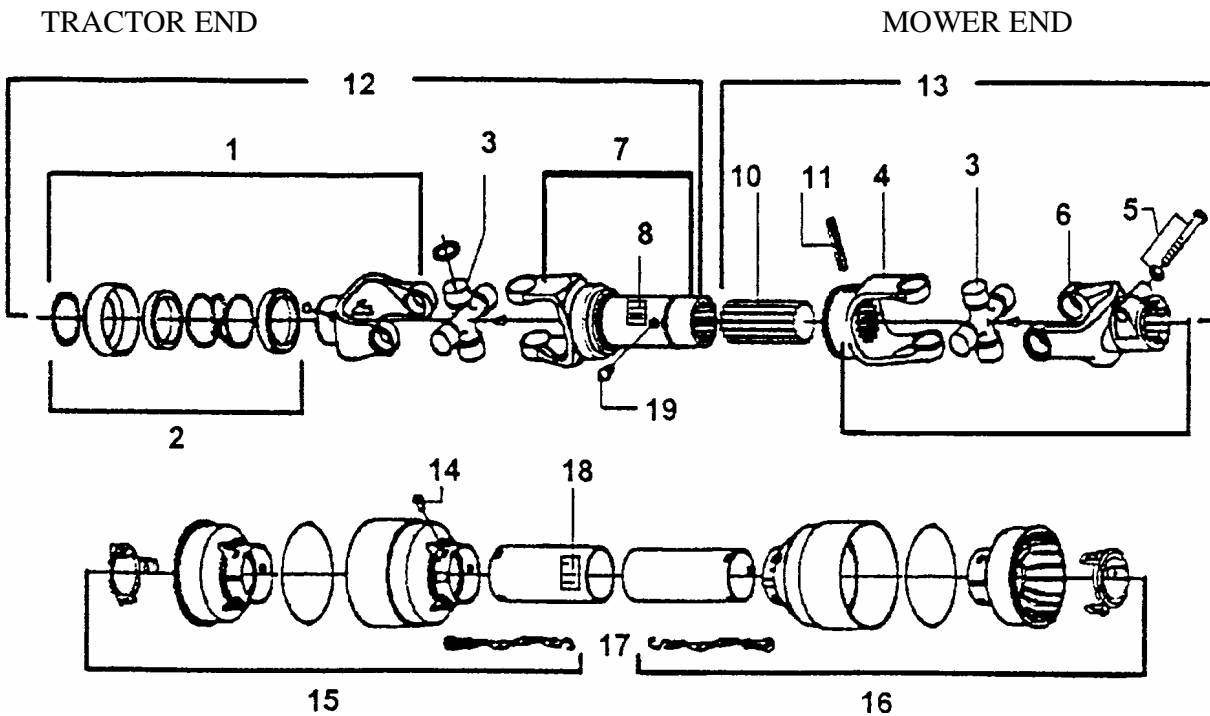
ITEM	PART #	DESCRIPTION	QTY.
1	521778	QD. YOKE 1 3/8" - 6 SPLINE (CO2)	2
2	521779	CROSS & BEARING KIT	2
3	521780	OUTER TUBE YOKE	1
4	521781	ROLL PIN FOR OUTER TUBE	1
5	521451	"DANGER" LABEL FOR OUTER TUBE	1
6	521712	OUTER TUBE	1
7	521713	INNER TUBE	1
8	521782	ROLL PIN FOR INNER TUBE	1
9	521783	INNER TUBE YOKE	1
10	210017	COLLAR KIT (STEEL)	1
	521727	COLLAR KIT (PLASTIC)	
11	521714	1/2 FEMALE SHAFT WITH SHIELDING	1
12	521715	1/2 MALE SHAFT WITH SHIELDING	1
13	521463	PLASTIC SHIELD BOLT (6PC/KIT)	6
14	521716	1/2 FEMALE SHIELD WITH LABEL	1
15	521717	1/2 MALE SHIELD	1
16	521467	SAFETY CHAIN	2
17	521455	"DANGER" LABEL FOR OUTER SHIELD	1
****	521718	COMPLETE PTO SHAFT	2/ MACH
-	-	QUANTITY IS FOR ONE COMPLETE SHAFT	-

INTERMEDIATE PTO SHAFT



ITEM	PART #	DESCRIPTION	QTY.
1	521719	SPLINED YOKE	1
2	521720	CROSS & BEARING KIT	1
3	521721	YOKE FOR OUTER TUBE	1
4	521722	ROLL PIN FOR OUTER TUBE	1
5	521451	"DANGER" LABEL FOR TUBE	1
6	521723	OUTER TUBE WITH SPLINED SHAFT	1
7	521463	PLASTIC SHIELD BOLT (6PC/KIT)	6
8	521467	SAFETY CHAIN	2
9	521724	COMPLETE SHIELD TYPE "P" WITH LABEL	1
10	521455	"DANGER" LABEL FOR OUTER SHIELD	1
****	521725	COMPLETE PTO ASSEMBLY	1
-	-	QUANTIT IS FOR ONE COMPLETE SHAFT	-

INPUT PTO SHAFT

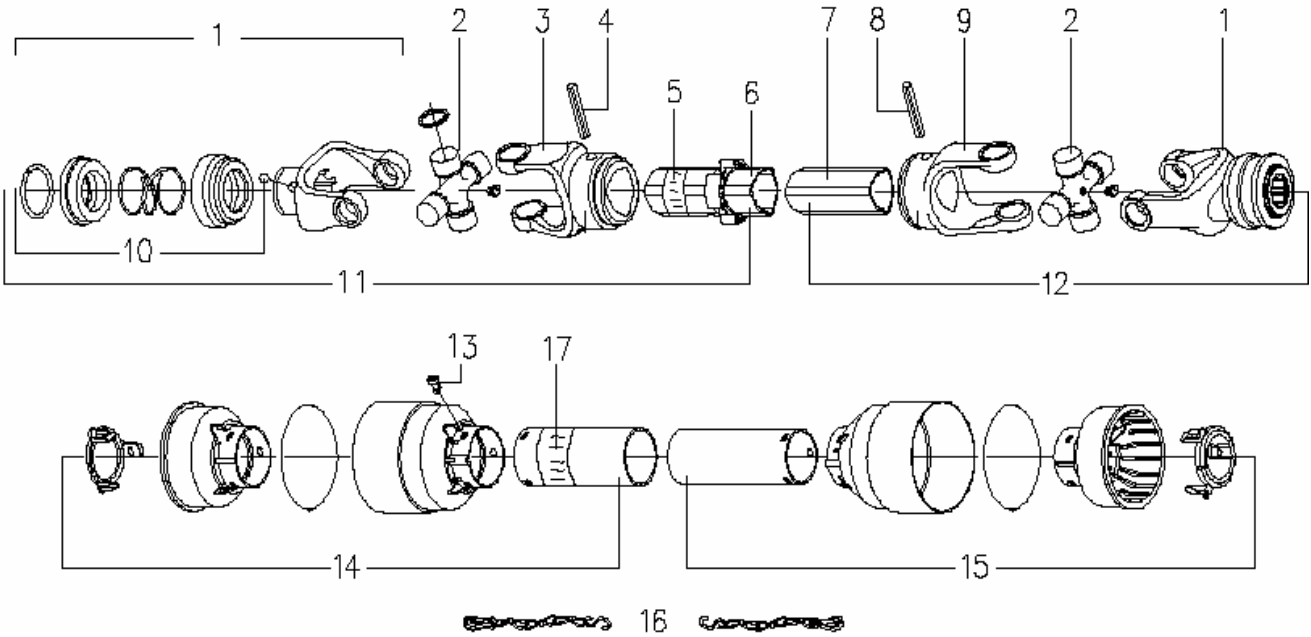


ITEM	PART #	DESCRIPTION	QTY.
1	521726	QD YOKE 1 3/8" - 6 SPLINE (CO2)	1
2	210017	COLLAR KIT - STEEL	1
	521727	COLLAR KIT - PLASTIC	
3	521720	CROSS & BEARING KIT	2
4	521728	INNER TUBE YOKE	1
5	521729	BOLT M12 X 1.25 X 65 NUT	1
6	521730	INTERFERING BOLT CLAMP YOKE	1
7	521731	OUTER TUBE & YOKE WITH LABEL	1
8	521451	"DANGER" DECAL	1
10	521732	SPLINED SHAFT	1
11	521733	ROLL PIN FOR INNER TUBE	1
12	521734	1/2 FEMALE SHAFT WITH SHIELDING	1
13	521735	1/2 MALE SHAFT WITH SHIELDING	1
14	521463	PLASTIC SHIELD BOLT (6PC/KIT)	6
15	521736	1/2 FEMALE SHIELD WITH LABEL	1
16	521737	1/2 MALE SHIELD	1
17	521467	SAFETY CHAIN	2
18	521455	"DANGER" LABEL FOR OUTER SHIELD	1
19	521821	GREASE FITTING	2
****	521738	COMPLETE PTO SHAFT	1
-	-	QUANTITY IS FOR ONE COMPLETE SHAFT	-

REAR DECK PTO ASSEMBLY

4-WAY GEARBOX END

DECK GEARBOX END



ITEM	PART #	DESCRIPTION	QTY.
1	521778	QD. YOKE 1 3/8" - 6 SPLINE (CO2)	2
2	521779	CROSS & BEARING KIT	2
3	521780	OUTER TUBE YOKE	1
4	521781	ROLL PIN FOR OUTER TUBE	1
5	521451	"DANGER" LABEL FOR OUTER TUBE	1
6	524261	OUTER TUBE	1
7	524262	INNER TUBE	1
8	521782	ROLL PIN FOR INNER TUBE	1
9	521783	INNER TUBE YOKE	1
10	210017 521727	COLLAR KIT (STEEL) COLLAR KIT (PLASTIC)	1
11	524263	1/2 FEMALE SHAFT WITH SHIELDING	1
12	524264	1/2 MALE SHAFT WITH SHIELDING	1
13	521463	PLASTIC SHIELD BOLT (6PC/KIT)	6
14	524265	1/2 FEMALE SHIELD WITH LABEL	1
15	524266	1/2 MALE SHIELD	1
16	521467	SAFETY CHAIN	2
17	521455	"DANGER" LABEL FOR OUTER SHIELD	1
****	524240	COMPLETE PTO SHAFT	1/ MACH
-	-	QUANTITY IS FOR ONE COMPLETE SHAFT	-