



OPERATOR'S MANUAL AND PARTS LIST

PRO-MAX 36

ROTARY FINISHING MOWER

Serial No. up to 1336227



PROGRESSIVE TURF EQUIPMENT INC.

137 WEST WILLIAM ST.

SEAFORTH, ONTARIO

CANADA N0K 1W0

PHONE: (519)527-1080

FAX: (519)527-2275

WATTS: (800)668-8873

Website: www.progressiveturfequip.com

Email: info@progressiveturfequip.com

SERIAL # _____

TABLE OF CONTENTS

INTRODUCTION	
TO THE OWNER	3
GENERAL INFORMATION	4
SPECIFICATIONS	5
PROPER TORQUE FOR FASTENERS	6
WARRANTY	7
WORK SAFELY	8
OPERATING SAFELY	9
MAINTENANCE SAFETY	9
SAFETY DECALS	10
MOWER SETUP FOR OPERATION	11
ADJUSTABLE HITCH ADAPTOR	11
TRACTOR DRAWBAR	12
PTO BEARING BRACKET SETUP	12
TD92 HOOKUP TO Pro-Max 36	14
TD92 CONNECTING FRAME	15
TD92 CONNECTING LINK	16
CONNECTING THE INPUT PTO SHAFT	17
CHECKING PTO LENGTH DURING TURNS	17
OPERATION OF THE MOWER	18
DAILY CHECK LIST	18
CUTTING HEIGHT ADJUSTMENT	19
LOWERING THE WING DECKS	19
DECK POSITION BUSHING	20
TIRES	20
PTO SHAFTS	21
LUBRICATION	21
GREASE COMPATIBILITY	22
TRANSPORTING MOWER	23
SAFETY CHAINS	23
DECK LOCK PINS	24
WING LOCK PINS	24
TRANSPORT PRO-MAX 36 ONLY	25
MAINTENANCE	26
MOWER BLADE SERVICING	26
BLADE REMOVAL & INSTALLATION	27
BLADE SHARPENING	27
SPINDLE INSPECTION	28
SPINDLE ASSEMBLY AND REMOVAL	28
SPINDLE ASSEMBLY INSTALLATION	28
ASSEMBLY OF SPINDLES	29
“V” BELT ADJUSTMENT	30
“V” BELT TENSION	30
HYDRAULICS	31
TROUBLE SHOOTING	32
PARTS	
MAIN FRAME COMPONENTS	2
WING FRAME COMPONENTS	4
MOWER DECK ASSEMBLY	6
TRANSPORT TIRE ASSEMBLY	8
DRIVELINE COMPONENTS	10
HYDRAULIC COMPONENTS	12
CONNECTING FRAME	14
BLADE SPINDLE ASSEMBLY	16
DECK GEARBOX ASSEMBLY	18
MAIN GEARBOX ASSEMBLY	20
DECK & MAIN INPUT PTO	22
FRONT MIDSHIP & REAR INPUT SHAFT	22

TO THE OWNER:

Before you operate this mower, study this manual carefully. It has been prepared to help you do a better and safer job of maintaining your mower.

Use only genuine Progressive Turf Equipment Inc. replacement parts. Substitute parts will void the warranty and may not meet the standards required for safe and satisfactory operation of this equipment.



ATTENTION! Your personal safety is involved. Be sure to observe and follow these instructions.



CAUTION! A reminder about safety practices, or directs attention to unsafe practices which could result in personal injury if proper precautions are not taken.



WARNING! A hazard exists which can result in injury or death if proper precautions are not taken.



DANGER! An extreme intrinsic hazard exists, which would result in a high probability of death or injury, if proper precautions are not taken.

GENERAL INFORMATION:

The main purpose of this manual is to assist the operator in maintaining and operating Progressive Turf Equipment mowers. Read it carefully. It provides information and instructions that will help you achieve years of dependable performance. Some information may be general in nature due to unknown and varying conditions.

Throughout this manual, references are made to right and left directions. These are determined by standing at the rear of the equipment and facing the direction of forward travel. Blade rotation is counter-clockwise as viewed from the top of the mower.

For quick reference, record the following information:

Model: PRO-MAX 36

Date Purchased: _____

Serial Number: _____

For additional information, assistance during assembly or operation of this mower contact the dealer you contacted the machine from, or call Progressive Turf Equipment Inc.

PHONE (519)527-1080 1-800-668-8873 FAX 1-519-527-2275

Email: info@progressiveturfequip.com

NOTE: The Warranty Registration form must be completed and returned to Progressive Turf Equipment Inc. to validate the warranty.

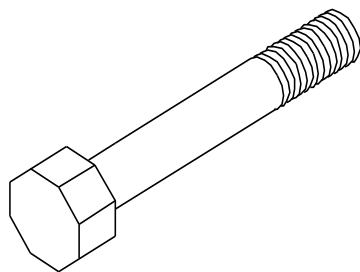
SPECIFICATIONS

DESCRIPTION	Pro-Max 36
Cutting Width	36'
Cutting Height	3/4" to 5"
Recommended PTO HP	80 to 110 (or 64% more than what is currently used)
Hydraulics	Requires 2 double acting outlets. One with float position.
Transport Width	13'
Height (folded)	13'
Length	Pro-Max 36 only 13'2". Complete system with 22' mower 29'8".
Ground Clearance	8"
Deck Flexibility	25 degrees up 15 degrees down
Number of Tires	Pro-Max 36 - 2 road wheels, 8 deck wheels. Total system – 4 road wheels, 18 deck wheels
Mowing Capacity MPH	2 8.8 acres/hr 4 17.5 acres/hr 6 26 acres/hr 7.5 32.8 acres/hr Assumes no stops or overlap
Weight	4600 lbs.
Tongue Weight	1400 lbs. in transport position
Tongue Weight	700 lbs. in mowing position
Paint Finish	Electrostatically applied paint with oven baked finish
Deck	Note: see TD-92 specifications for mower deck information
Frame	Hollow structural steel tubing with supports at high stress areas to achieve maximum strength.
Axles	Two specially designed castors with 6000 lb. rating for transport wheels
Wheels	6 bolt with 6" bolt circle
Tires	2 of P275/60SR 15" automotive style radials
Cylinders	Wing lift – 2 of 3.5" by 24"
Screw Jack	5000 lb. top wind jack for easy hook-up
Main Gearbox	4 shaft gearbox with 1 3/8" – 6 spline shafts
PTO Shafts	Telescoping, agricultural PTO driveshafts with proper safety shields 1-3/8"-6 spline quick disconnect yoke on both ends with ring lock collars
Input PTO	Category # 6 H.D.
Deck PTO	Category # 3 H.D.

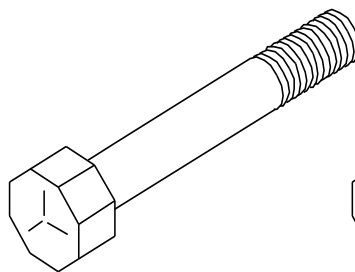
PROPER TORQUE FOR FASTENERS:

The chart lists the correct tightening torque for fasteners on Progressive Turf Equipment mowers. When bolts are to be tightened or replaced, refer to this chart to determine the proper torque except when specific torque values are assigned in the manual. Only SAE grade 5 fasteners are to be used in the assembly of this machine, or as otherwise specified in this manual.

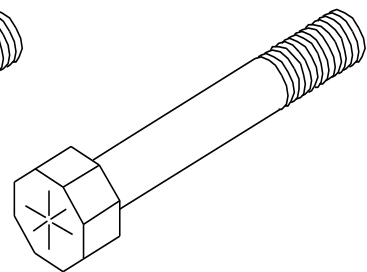
BOLT HEAD MARKINGS



SAE Grade 2
(No dashes)



SAE Grade 5
(3 radial dashes)



SAE Grade 8
(6 radial dashes)

Recommended Torque for SAE Grade 5 bolts

<u>Bolt Diameter (in.)</u>	<u>ft·lbs (N·m)</u>
1/4	10 (14)
5/16	19 (26)
3/8	33 (45)
7/16	54 (73)
1/2	78 (106)
9/16	114 (155)
5/8	154 (209)
3/4	257 (348)
7/8	382 (518)
1	587 (796)
1" L.H. Spindle nut	60 (81)

WARRANTY POLICY

(To validate warranty, the Delivery and Warranty Registration form must be completely filled out & mailed to Progressive Turf Equipment Inc.)

Progressive Turf Equipment Inc. warrants each new product to be free of defects in material and workmanship to the original purchaser. Warranty will be applicable, from the original date of purchase.

**Pro-Flex 120, TD65-2, TD65, TD92, Pro-Max 36, TDR-15, TDR-12,
TDR-22, SDR-65, SDR-90.**

FOR ALL APPLICATIONS - 24 MONTHS

This warranty coverage supersedes all written warranties, effective June 2007

This warranty will not cover any components which, in the opinion of the company, have been subjected to negligent use, alteration, or accident, or if parts supplied by others have been used in repairs of any product manufactured by Progressive Turf Equipment Inc.

Progressive Turf Equipment Inc. will not provide warranty for tires, wheels, batteries, or other trade accessories, since these items are warranted separately by their respective manufacturers.

Our obligation, in the event that any Progressive Turf Equipment Inc. product warranted, shall become defective or fail, will be limited to repairing or replacing free of charge, or provide labour and materials for the repair of any defective part subject to company approval. All defective parts must be retained for 60 days after applying for warranty. Any parts to be returned to Progressive Turf Equipment Inc. for inspection will be issued an RGA number and must be returned within 14 days, transportation charges prepaid. This warranty will not provide for service calls to customer location or for transportation of equipment to dealer location if such servicing is required.

The sole liability of Progressive Turf Equipment Inc. under this warranty or any implied warranty, shall be limited as set forth herein. The customer agrees that Progressive Turf shall not in any event be obligated to reimburse, or pay the customer for any expense, loss or any direct, incidental or consequential, damages to any person or property for any reason, or caused by reason of Progressive Turf Equipment Inc., negligence, or otherwise in connection with the sale, delivery, installation, training or use of the equipment. The customer shall indemnify and hold Progressive Turf Equipment Inc. harmless against all such liability.

This warranty is not subject to change or modification by anyone, including dealers, and no one is authorized to make any representation on behalf of Progressive Turf Equipment Inc.

WORK SAFELY --- FOLLOW THESE RULES



Instructions given with this symbol are for personal safety. Be sure you and your workers follow them.

**A CAREFUL OPERATOR IS THE
BEST INSURANCE AGAINST AN ACCIDENT.**

**BEFORE HANDLING ANY EQUIPMENT
READ THE MANUAL**

- ❖ To avoid accident or injury, do not allow anyone to operate this equipment without proper instructions. Any person who operates the equipment must be instructed in, and be capable of the safe operation of the unit, the attachments and all controls.
- ❖ Know your controls and how to stop the tractor, engine, and mower quickly in an emergency.
- ❖ Always wear relatively tight and belted clothing to avoid entanglement in moving parts. Wear sturdy, rough-soled work shoes. Never operate tractor implements in bare feet, sandals or sneakers.

OPERATING SAFELY:

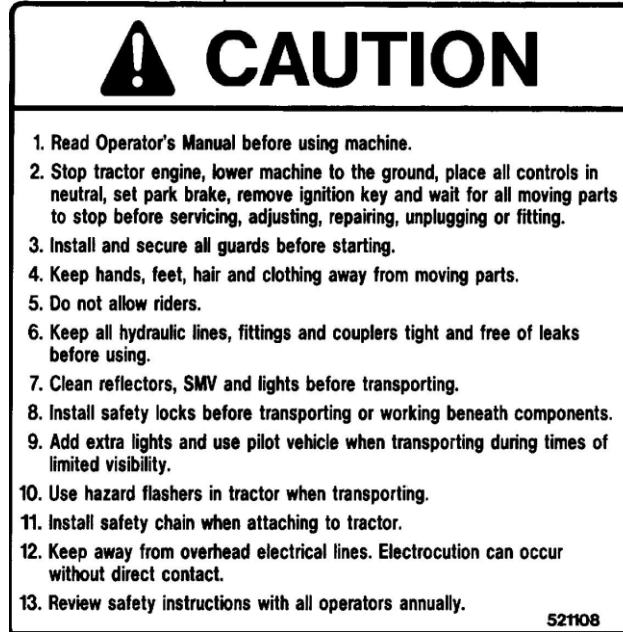
- Shift tractor into neutral and disengage power take-off before starting tractor.
- Never allow riders on the tractor or equipment.
- Use extreme care when operating on uneven terrain.
- Immediately stop mower and shut off tractor upon striking any object. Inspect mower and repair any damage before you continue mowing.
- Always turn off tractor before making any adjustments to mower, if operator has to dismount tractor.
- If mower becomes clogged, disengage power to mower and turn off tractor before dismounting.
- Always disengage PTO and be sure driveline has stopped rotating before raising decks into transport position.
- Always use safety chains when working on the Pro-Max 36 wing decks.
- Obey all local and state regulations when operating on public roadways and highways.
- Reduce speed while operating during wet conditions on slopes, especially when making sharp turns.

MAINTENANCE SAFETY:

1. Keep tractor and mower in good operating condition with safety devices in place.
2. When working on the mower with wings raised, make sure the wing locks or wing safety chains are properly installed.
3. Frequently check blade-mounting bolts for tightness.
4. Periodically tighten all bolts, nuts and screws and check that cotterpins are properly installed to ensure mower is in a safe condition.

OBEY THESE SAFETY DECALS:

Part # 521108



Part # 521043



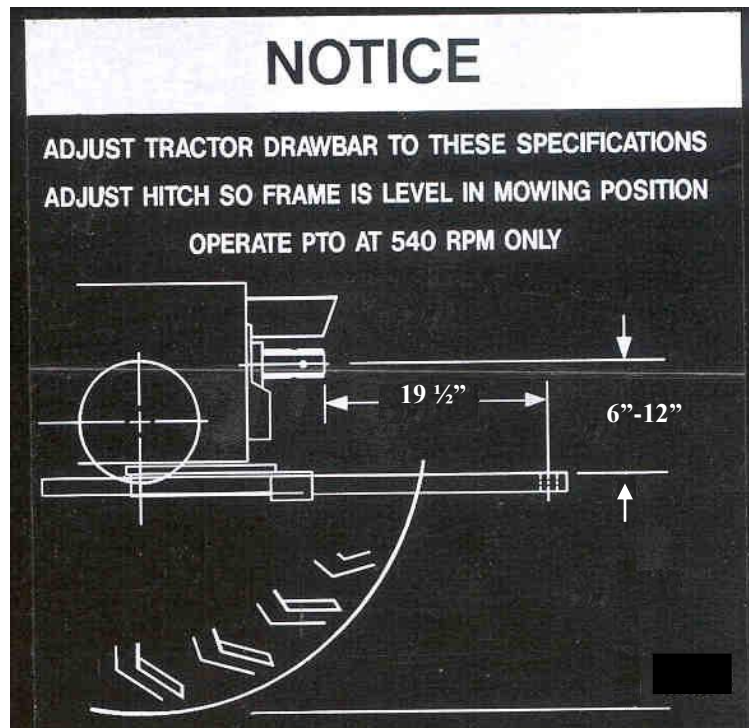
NOTE: If decal becomes faded, damaged or lost, replace immediately.

MOWER SETUP FOR OPERATION:

HITCHING TO TRACTOR:

Before hitching the mower to the tractor, a number of conditions must be checked. Having the proper hitching dimensions for the tractor drawbar and the PTO will ensure long and trouble free hours of operation with this PTO driven mower. Incorrect setup will damage the driveline components prematurely.

The following decal is mounted to the machine:



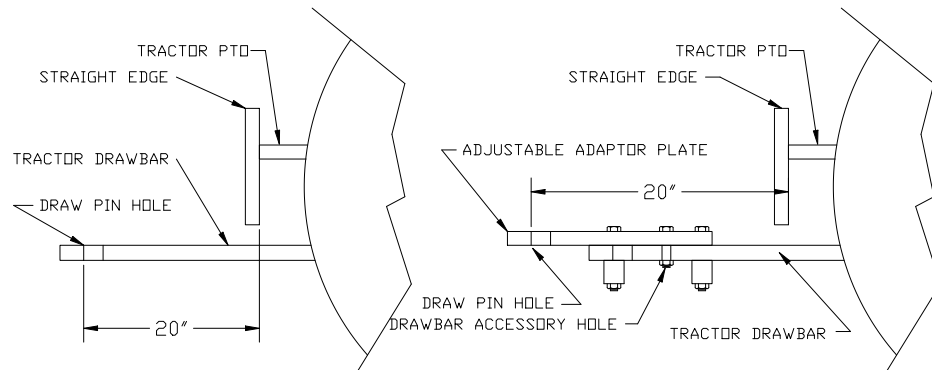
Adjustable Hitch and PTO Shaft:

The Pro-Max 36 is equipped with an adjustable hitch plate for mounting on the tractor drawbar to ensure the correct distance between the end of the tractor PTO stub and the end of the Pro-Max 36 PTO stub. This distance should be 39". The drawpin of the mower should be exactly in the center of the two PTO shaft ends for smooth operation and long life for all driveline components. This set-up allows equal turning angles for the front and rear U-joints to avoid vibration while negotiating turns during the mowing process.

Use the following steps to ensure proper hook up.

Tractor Drawbar:

1. Raise or remove the safety guard around the tractor PTO shaft.
2. Using a straight edge, measure the distance from the end of the PTO shaft to the back edge of the drawpin hole. This distance should be 20”.



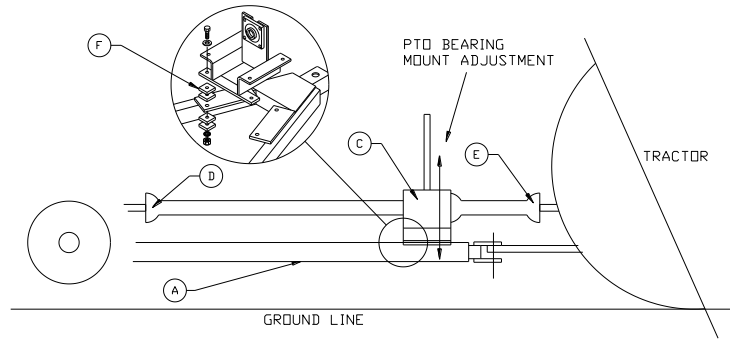
3. If this distance is not correct, check to see if the tractor drawbar is adjustable, and if there is a mounting hole that gives this dimension, adjust it so the distance is 20”.
4. If the drawbar cannot be set correctly on the tractor, use the adjustable tractor hitch unit supplied with the mower.
5. Mount the adaptor plate to the top of the drawbar as shown in the sketch.
6. Adjust the adaptor plate until the 20” dimension is set between the end of the tractor PTO and the back edge of the drawpin hole.
7. Snug up the 4 mounting bolts and mount the input PTO shaft.

PTO BEARING MOUNTING BRACKET SETUP:

It is important that the PTO shaft be in a straight line between the tractor PTO and the gearbox. This will ensure a long life and smooth operation of the driveline components.

8. When the mower is connected to the tractor, the mower hitch frame (A) should be as close to level with the ground as possible.

9. To ensure proper life of the PTO shaft, the driveline from the mower gearbox (D) to the PTO shaft (E) on the tractor should be in a straight line.



10. Spacers (F) are provided under the bearing mounting bracket (C) to allow adjustment up or down. Each spacer is $\frac{1}{2}$ " high. Sixteen are provided, for a 2" total adjustment, four on each corner. Adjust spacers until the driveline is straight.
11. For a final check, if everything is correct, the driveline will be straight and the grease zerk will be visible on the input shaft, when the shield grease holes are lined up.
12. To complete the mounting of the adaptor plate, with a marking pen or scribe, mark the location of the accessory mounting hole in the tractor drawbar, on the adaptor plate. See sketch on Page 12.
13. Remove the adaptor plate and drill the hole to match the accessory hole on the tractor drawbar.
14. Re-mount the adaptor plate to the tractor and securely tighten all 5 bolts.



Proper setup will allow you to see the grease zerk on PTO shaft.

TD92 – HOOK UP TO Pro-Max 36:



1. With the transport wheel locked on the Pro-Max 36, back up to within 12” of the TD92 mower.
2. Remove the sliding drawbar lock pin and slide the drawbar out and connect to TD92.
3. Replace the sliding drawbar lock pin in bushing.
4. With TD92 frame still on the jack, back the unit up slowly and lock pin will fall into place. Replace the hair pin.
5. Connect the PTO shaft, hydraulics and deck lock release rope for the TD92 mower.

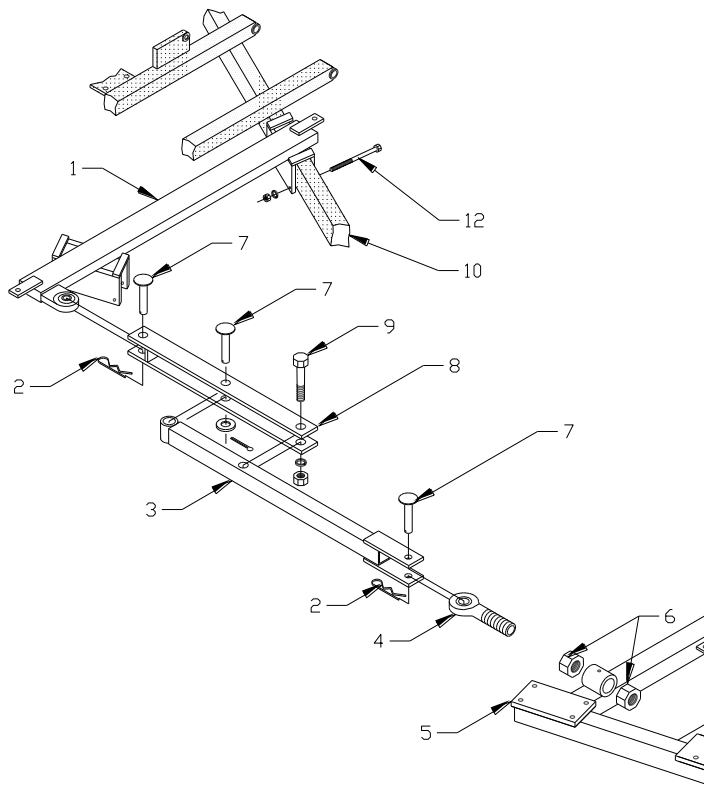


Drawbar
Lock Pin

TD92 CONNECTING FRAME:

A connecting frame is provided with the Pro-Max 36, that mounts to the TD92 mower, and is used to connect the two mowers together. The connecting link will mount to this, allowing the two mowers to be set up parallel with each other for proper cutting.

Mount the connecting frame (1) to the hitch frame (10) of the TD92 mower with the four 1/2" x 3 1/2" bolts. Tighten securely.



TD92 CONNECTING LINK:

The connecting link is used to lock and stabilize the Pro-Max 36 and the TD92 mowers together. It is important that the link be mounted correctly and set at the proper length. This will ensure that the two mowers are travelling parallel and cutting properly. Follow these steps for installation.

1. After connecting the mower to the back of the Pro-Max 36, drive the unit forward a short distance, while making a slight turn to the right. This will shorten the length between the two mowers on the right hand side for mounting the link.
2. Remove the pivot lock pin from the link allowing it to pivot out and shorten.
3. Mount the link to the bracket on the TD92 mower.
4. Mount the other end onto the back of the Pro-Max 36 mower.
5. Now push the link in straight, or slowly drive the mower forward with a slight turn to the left so the connecting link straightens. Replace the locking pin.
6. Using the connecting link adjustment bolt, adjust the length of the link until the TD92 mower is in position straight behind the Pro-Max 36.
7. **Remove the transport castor lockout bars from the unit.**

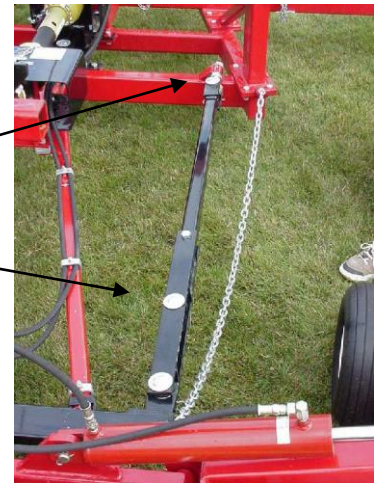


Connecting Link Adjustment Bolt

Pivot Lock Pin

Link Bent Out To Connect

TD92 Safety Chain



Pro-Max 36 Castor Lockout Bar



CONNECTING THE PTO SHAFT:

1. Ensure that the tractor engine is shut off and the parking brake is locked.
2. Holding the PTO against the end of the tractor PTO shaft, rotate the tractor PTO by hand until the shaft slides on slightly.
3. Slide the locking collar on the PTO backwards, releasing the locking mechanism, hold and slide the PTO on.
4. Release the ring and pull the PTO backwards until the locking mechanism snaps into place.
5. Push the shaft forward and backward to ensure that it is securely locked into place.



CAUTION: If the PTO shaft comes off during operation, it may cause personal injury and damage to the PTO shaft and tractor PTO. When checking, make sure the locking collar is locked, and that the shaft is not just jammed against the end of the tractor PTO shaft.

CHECK PTO LENGTH DURING TURNS:

During the mowing operation, the tractor should be able to make turns without damage to the driveline. To ensure proper setup, check the following conditions:

1. With the tractor in the lowest gear and travelling very slowly, make a sharp turn to the right.
2. Watch the PTO shielding to make sure the PTO shaft does not totally collapse. There should be 1" to 2" of black PTO shielding left at maximum turn. (see picture below)



OPERATION OF THE MOWER:

A careful and knowledgeable operator is the best insurance against an accident.

Allow no riders on any equipment.

If the tractor is equipped with a R.O.P.S., use the seat belt for maximum protection.

Make sure that everyone is clear of the tractor and mower before starting the engine or operating.

DAILY CHECK LIST:

1. Check that mower is properly and securely attached to tractor and the safety chain is attached.
2. Ensure all safety shielding is properly installed, Check that all nuts and bolts are secure and pins are properly cotter pinned.
3. Check condition of blades and security of attachment.
4. Ensure mower cutting height is properly adjusted.
5. Clear area of stones, branches or other debris that might be thrown causing injury or damage.
6. Never permit any person other than the operator to ride or board the tractor at any time.
7. Check that all lubrication points with grease fittings have been lubricated as per schedule.
8. Check all gearboxes for proper amount of gear oil. Mower must be on level surface when this is done.
9. Be sure actuator pull rope is properly secured and will not become entangled in PTO shaft.

CUTTING HEIGHT AND ADJUSTMENT:

Mower cutting height adjustment is made by removing the lynchpin from the top of each castor stem (square or round) and corner support, and moving the spacers either above or below support tube as required for your selected cutting height.

Be sure all adjustments are set the same.



When setting the cutting height on the Pro-Max 36, be sure to use the wing safety chains. The chains are located in the box just below and behind the main gearbox on the mower.

Mount chain
in top hole.



Safety Chain

Two holes on frame to anchor the safety chain.

- Inside hole for blade change.
- Outside hole for cutting height change.

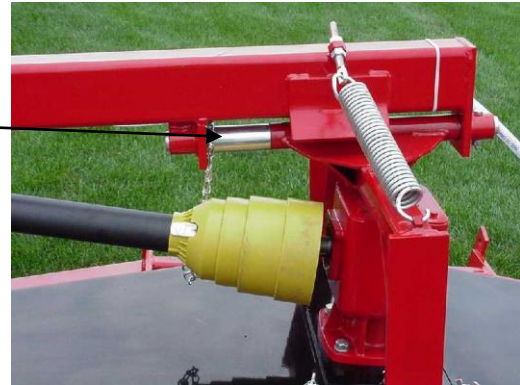
LOWERING THE WING DECKS:

Any time the wings are raised and work is being done on the decks, the wing safety chains must be installed. Refer to the section on Maintenance.

When operating the PRO-MAX 36, the hydraulic control valve operating the wings must be in FLOAT position. This will allow the wings to follow the contour of the ground. If the valve is not in float, the mower will not cut evenly.

DECK POSITION BUSHING:

Spacer
Bushing



This spacer bushing can be mounted on either side of the wing deck swivel. Bushing shown mounted on the inside, positioning the wings out as far as possible. This will give maximum cutting width. Moving the bushing to the outside will increase the deck cutting overlap and reduce the overall cutting width. This will, however, reduce the width of the uncut strip when making turns. This position will be used when mowing while following a pivot track.

TIRES:

Upon receiving your mower, check air pressure in the tires and adjust according to specifications.

Mower Deck Tires	-	24 PSI
Mower Frame Tires	-	35 PSI



CAUTION! Never inflate tires beyond 35 pounds per square inch to seat beads. Inflation beyond 35-PSI pressure before seating the bead may break the bead or even the rim with explosive force. If beads have not seated by the time the pressure has reached 35 PSI, deflate the assembly, move tire to another position on the rim and re-lubricate. Inflate tire and inspect both sides of the tire to be sure beads are seated properly. If not, deflate the tire, unseat beads and repeat the above mounting procedure. After properly seating beads, adjust to pressure recommended. (See above specs.)

POWER TAKE-OFF SHAFTS:



CAUTION! Keep all shields in place.



CAUTION! When operating the PTO, be sure the tractor shield is always in place, covering the exposed PTO shaft.



WARNING! Before dismounting from the tractor, stop the PTO, put the tractor in neutral, set the brakes in lock position and shut off engine.



CAUTION! When ready to engage PTO shaft, be sure engine RPM is at idle speed. Engaging PTO at full throttle will cause high shock loads to driveline, with the potential for future failure.

NOTE: Do not exceed the recommended PTO speed of 540 RPM.

LUBRICATION:

A properly maintained lubrication schedule will provide a smooth running machine for many years.

All pivot locations have grease fittings. The following information shows and describes where all lubrication points are located. Use a quality EP2 bearing grease or equivalent.

<p style="text-align: center;">DECKS</p> <ul style="list-style-type: none"> • SPINDLES* (SEE MANUAL) • 3 PIVOTS PER WING DECK* • 2 PIVOTS ON REAR DECK* • CASTOR WHEEL & SWIVELS* <p style="text-align: center;">*(AS REQUIRED)</p>	<p style="text-align: center;">P.T.O SHAFTS</p> <ul style="list-style-type: none"> • MAIN INPUT • DECK DRIVE – 4 LOCATIONS PER SHAFT* • PULL APART SLIDING TUBES ONCE PER WEEK AND LUBRICATE <p style="text-align: center;">*(AS REQUIRED)</p>	<p style="text-align: center;">FRAME</p> <ul style="list-style-type: none"> • 8 PIVOT LOCATIONS* • 2 WHEELS* <p style="text-align: center;">*(AS REQUIRED)</p>
<p>CHECK FOR PROPER OIL LEVEL IN GEARBOXS DAILY</p>		
<p>GREASING SCHEDULE & LOCATIONS</p>		

An Important Word On Grease Compatibility

What Grease Is:

-Grease is essentially a distilled petroleum product in the form of mineral oil (or a synthetic) which has a thickening agent such as lithium, calcium, barium, sodium, or aluminum.

-Many of the thickeners will work for similar situations, but **when mixing greases with different thickeners, one must review compatibility**. Grease incompatibility will actually decrease the lubrication ability of the grease, and cause premature part failure.

-There may be other additives in the grease that impart special properties. These properties may be “high temperature”, “extreme pressure”, etc.

What We Use:

- Our bearing supplier uses Shell Alvania 2
- Progressive uses Texaco Multifak EP 2
- EP means extreme pressure
- Both greases have:
 - A mineral oil base
 - A lithium thickener
 - The mineral oil has a NLGI Grade 2
 - Both greases are compatible with each other

Note:

-If a thickener other than lithium is used, the existing grease will be contaminated and the lubrication properties may be lost.

-If a synthetic base oil is used rather than a mineral base oil, the grease will again be contaminated and the lubrication properties may be lost

-Molybdenum Disulfide (Moly) is an additive used in slow moving, extreme load applications. The particles in the “Moly” will actually increase bearing wear in a mower spindle. Our grease does not contain Moly.

-The blade spindle temperature should never go above 120°F if properly greased; we do not recommend high temperature grease.

A grease with these features is considered to be a “General Purpose Grease”. Use on all grease point locations on your Progressive Mower.

Our Recommendation for Grease Compatibility:

The grease you use for the blade spindle assemblies must have these properties:

- NLGI grade 2
- Lithium thickener (NOT LITHIUM COMPLEX OR LITHIUM 12-HYDROXY
- Dropping Point Less than 400° F
- General Purpose Grease, Not Heavy Duty
- No MOLY (molybdenum disulphide) additives in the grease
- No synthetic grease
- No High Temperature Grease
- Check the properties of the grease you wish to use with your supplier prior to use.

TRANSPORTING THE MOWER:



CAUTION! When traveling on public roadways, use flashing amber lights and Slow Moving Vehicle sign on the rear of the mower to provide greater visibility to other traffic.

Once a mower is in the raised position, activate tractor hydraulic control valve (on the 22 ft unit) slightly so that the cylinders will extend and allow the locks to be totally engaged. This way there will be no sudden surges on the hydraulic system when traveling over rough terrain.



WARNING! When towing this mower, the following information concerning road speed should be strictly adhered to.

WEIGHT OF TOWING VEHICLE

More than 4500 lbs

From 2300 to 4500 lbs

Less than 2300 lbs

MAXIMUM ALLOWABLE ROAD SPEED

Up to 20 mph or 30 km/h

UP to 10 mph or 16 km/h

DO NOT TOW!



CAUTION! Always have a safety chain attached to towing vehicle.

SAFETY CHAINS:

It is recommended that the safety chains provided with this mower be attached to the towing vehicle at all times.

Install the safety chain as shown. After attaching the safety chain, make a test run to the left and right for a short distance to check for proper adjustment. Readjust to eliminate a loose or tight chain.

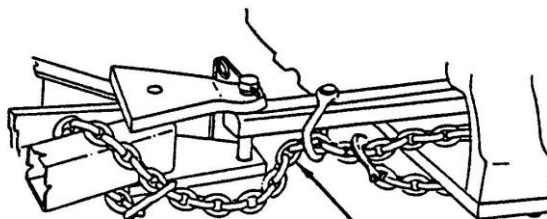


Figure 3 SAFETY CHAIN

Safety chains are also provided for the rear TD92 Mower. These must be connected to the rear of the Pro-Max 36 at all times.

Be sure they are securely fastened for road transport.



DECK LOCK PINS ON Pro-Max 36:

Lock both wings during road transport. This will prevent the wings from swinging back during transport, therefore eliminating damage. Always unlock the decks before lowering the wings.



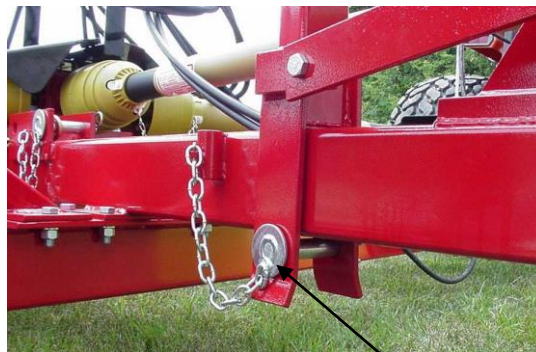
Pin shown in field working position.



Shown in locked position.

WING LOCK PINS Pro-Max 36:

The wing lock pins must be installed during transport to ensure the wings do not lower.



Wing safety lock pins

TRANSPORTING THE PRO-MAX 36 ONLY:

When transporting the Pro-Max 36 without the TD92 mower attached to the rear, the castor wheel lockout bars must be installed.

The two lockout bars are stored on the front side of the crossbrace tube on the main hitch frame.

Park the unit with the castoring transport tires turned to the rear and the tractor straight to the machine. Disconnect the TD92 mower from the Pro-Max 36, remove the connecting link and safety chains.

Using two 7/16" bolts, mount the lockout bar as shown below.



DISCONNECTING TD92 FROM PRO-MAX 36

The TD92 may be disconnected from the Pro-Max 36 for small mowing jobs where the 36' cutting ability of the Pro-Max 36 is not suitable.

Care should be taken in doing this. The procedure is the reverse of the hook up instructions found in this manual.

IMPORTANT: the TD92 has its own critical drawbar dimensions as outlined in the TD92 manual. These must be observed or damage to driveline components will occur. The original safety cord from the TD92 must also be used.

MAINTENANCE:

WARNING! Turn tractor engine off before performing any maintenance.



CAUTION! Always use personal protection devices such as eye and ear protectors when performing maintenance functions



WARNING! When completing a maintenance or service function, make sure all safety shields are installed before placing the mower in service.

BLADE SERVICING:



WARNING! Be sure safety locks are in place when working on decks in the raised position. The tractor hydraulic system could fail, causing decks to fall and crush anything under them.

Do not handle mower blades with bare hands. Careless or improper handling may result in serious injury.

Inspect blades before each use to determine that they are mounted tightly and are in good condition. Replace any blade that is bent, excessively nicked, worn or has any other damage. Small nicks can be ground out when sharpening.



WARNING! Only original equipment blades should be used when replacing worn-out mower blades. They are made of special steel alloys and subjected to rigid heat-treating and inspection requirements. Substitute blades may not meet these rigid specifications and **MAY BE DANGEROUS.**

BLADE REMOVAL AND INSTALLATION:

Two, 1/2" x 1 3/4" grade 5 bolts with lock washers and nuts hold the blade to blade spindle support bar. When changing blades, be sure that these fasteners are in good condition so they will not come loose during operation.

BLADE SHARPENING:

IMPORTANT – When sharpening blades be sure to balance them. Unbalanced blades will cause excessive vibration that can damage blade spindle bearings. Vibration may cause structural cracks in mower housing.

Follow original sharpening pattern as shown. Sharpen blade to a razor edge. Protect hands when sharpening. Do not sharpen back side of blade.

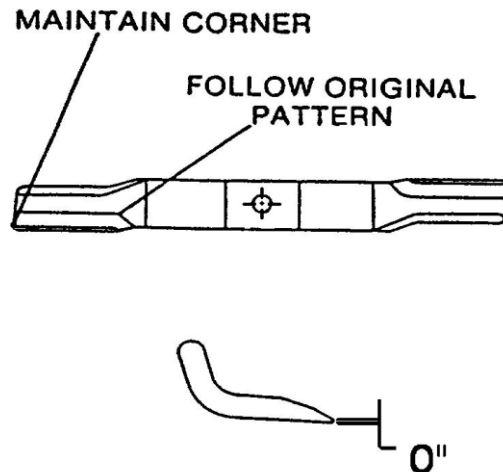


Figure 6 BLADE SHARPENING

SPINDLE INSPECTION:

Spindles are equipped with two ball bearings. Adjustment is set by tightening the 1" NF left hand nut to 60 ft-lbs torque for proper setting.

Periodically inspect blade spindles by grasping pulley, and moving from side to side. If any free play is noted, replace or repair.

SPINDLE ASSEMBLY REMOVAL:

Remove blade from spindle.

Remove belt shield. Loosen 4 bolts that hold gearbox to mount.

Loosen 1/2" x 3 1/2" tap bolt and slide gearbox toward front until belt becomes slack and is easy to remove.

Remove belt.

Remove 4 bolts attaching spindle assembly to mower deck and remove as a unit, since pulley will come out through the hole in the deck.

SPINDLE ASSEMBLY INSTALLATION:

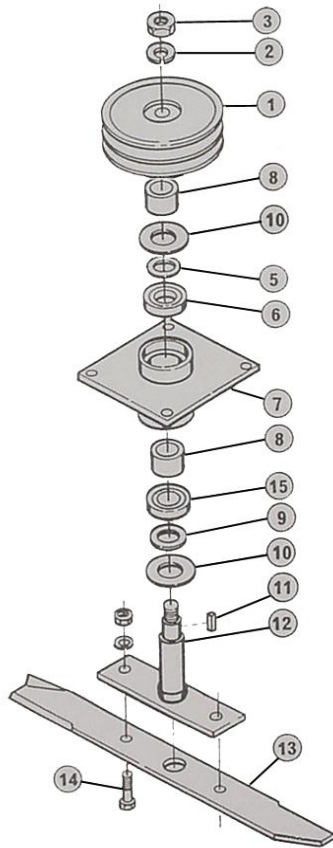
Reverse above procedure. Be sure spindle mounting area of deck is clean of any foreign material before attaching spindle assembly.

SPINDLE REPAIR:

Spindle repair requires special skills and tools. If your shop is not properly equipped or your mechanics are not properly trained in this type of repair, it may be in your best interest, both time and money wise, to use a new spindle assembly.

Remove pulley from spindle assembly. Place the assembly in a press and force spindle down through housing. Once pressed apart, replace bearings as removal will have damaged bearings internally.

ASSEMBLY OF SPINDLE:



Only use a press that has the ram and bed 100% square to each other. If bearings are not square in housing, bearings will wear out prematurely. Press on outer race when inserting into hub and press on inner race when installing on spindle.

If bearings are being changed, be sure to check bearing spacer for wear. If wear is noticed, insert new spacer. This is critical because if spacer is short by only .010", the top bearing will start to bind and will result in premature failure.

Bearing with seal and shield combination will be pressed into the blade side of the hub first with the seal side facing out. Next; set spindle on press bed.

Install dirt shield and shim first (see sketch above), set hub, bearing end down, on to spindle. You must use a tube (Note: both ends must be square) which will slide over spindle and press on inner race of bearing, until seated against shim. Insert bearing spacer tube with hole end up. Set the remaining bearing, with shield side up, open side on first, on to spindle. Press on inner race (this bearing will be a loose fit in the hub so it will seat itself properly).

When all parts have been installed on the spindle, torque **left hand nut** to (60) ft_lbs, and then tighten set screws in pulley. Once the assembly is complete, fill the spindle with quality grease until it exits the top bearing. Rotate the housing six revolutions by hand so the bearings will have the grease worked into them, and at the same time, check for free movement. The assembly is now ready for installation into the mower deck.

“V” BELT ADJUSTMENT:

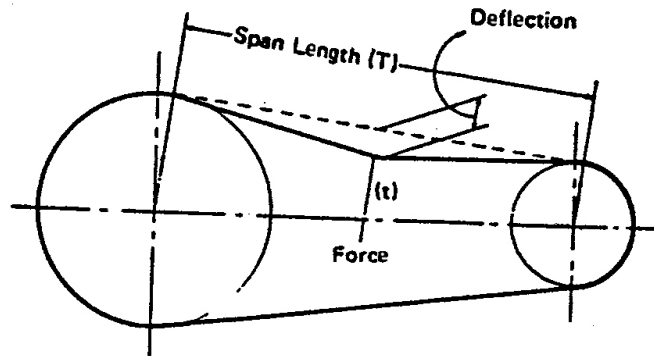
Begin by loosening 4 bolts at the base of the gearbox, adjusting the long threaded bolt slides the gearbox back, therefore tightening the belts. After proper tension is achieved, tighten 4 bolts at base of gearbox. You may have to place a 1/2” nut under the head of the long-threaded bolt to increase your adjustment length.

When changing belts, removal of the grease fitting from the top of the center spindle will make installation easier. Be sure the belts run in the proper groove.

“V” BELT TENSION:

Proper belt tension is a fundamental factor in the successful V-belt operation. Lack of tension will cause slippage, and too much tension will cause excessive belt stretch as well as damage to the drive components, such as bearings and shafts. Therefore, to ensure proper belt tension, the following procedure is recommended.

At the mid-point of the span, apply a deflection force with a spring scale in the direction perpendicular to the span until the belt is deflected 3/8”.



The recommended force to deflect the belt is a minimum of 4.9 lbs. to a maximum of 7.3 lbs.

The first 24 to 48 hours of operation is the belt “run in” period. To ensure satisfactory belt performance, belt tension should be checked during this time period.

HYDRAULICS:

The hydraulic system on your Progressive mower is a simple cylinder system used to raise and lower the cutting decks into position. Each cylinder contains a .035 diameter restrictor orifice, which is located on the rod end to slow the speed of travel.

Restrictor Orifice



When reconnecting the quick disconnects to the tractor, be sure that both ends are clean. Dirt in the hydraulic system can block the orifice in the line throttle valve or even score the cylinder tubes.

Hydraulic fluid escaping under pressure has enough force to penetrate the skin. Seek medical attention at once if injured by escaping fluid. During your daily inspection repair all leaks before they create a major problem. Relieve all pressure before working on, or disconnecting the line in the hydraulic system.

If crimp-on hose ends are ever changed, be sure they are compatible with the hose, to provide the proper crimping pressure.

TROUBLESHOOTING:		
PROBLEM	CAUSE	REMEDY
VIBRATION WHEN TURNING	DRAWBAR LENGTH INCORRECT	CHECK DRAW BAR LENGTH SPECS AND ADJUST HITCH PLATE
VIBRATION WHEN TURNING	MAIN INPUT SHAFT NOT COLLAPSING EASILY	PULL INPUT SHAFT APART AND GREASE INNER AND OUTER SPLINES. NOTE THERE ARE TWO GREASE ZERKS AT MIDSHAFT. GREASE BOTH EVERY 8 HOURS OF USE.
INTERMEDIATE PTO SHAFT DAMAGE TO SPLINED STUB.	MAIN INPUT SHAFT IS NOT COLLAPSING EASILY DUE TO INSUFFICIENT GREASE ON SPLINES	REPEAT AS PER ABOVE. IN HOT OPERATING TEMPERATURES GREASE EVERY 4 HOURS
PREMATURE SPINDLE BEARING DAMAGE	INSUFFICIENT GREASE ON BEARINGS	GREASE EVERY 8 HOURS OF USE. IN HOT TEMPERATURES GREASE EVERY 4 HOURS.
PREMATURE SPINDLE BEARING DAMAGE. GREASE IS BLACK, DRY AND PASTY ON EXAMINATION	CONTAMINATED GREASE	SEE INFORMATION ON GREASE COMPATIBILITY IN THIS MANUAL
FRONT DECKS CUT HIGHER/LOWER THAN REAR DECKS	TRACTOR HYDRAULIC CONTROL NOT IN FLOAT POSITION	WHEN LOWERING DECKS, BE SURE THE FRONT SECTION IS IN FULL FLOAT POSITION
ONE DECK ON FRONT SECTION GIVING A RAGGED CUT	THE FOUR WAY GEAR BOX MOUNTED INCORRECTLY AND THE BLADES ARE TURNING IN WRONG DIRECTION	WHEN MOUNTING FOUR WAY GEARBOX THE BREATHER MUST BE IN THE REAR RIGHT HAND SIDE LOOKING AHEAD

PRO-MAX 36 FINISHING MOWER

PARTS MANUAL

TABLE OF CONTENTS

ITEM	DESCRIPTION	PAGE
1	MAIN FRAME COMPONENTS -----	1
2	WING FRAME COMPONENTS -----	3
3	MOWER DECK ASSEMBLY -----	5
4	TRANSPORT TIRE ASSEMBLY -----	7
5	DRIVELINE COMPONENTS -----	9
6	HYDRAULIC COMPONENTS -----	11
7	CONNECTING FRAME COMPONENTS -----	13
8	BLADE SPINDLE ASSEMBLY -----	15
9	DECK GEARBOX ASSEMBLY -----	17
10	MAIN 4-WAY GEARBOX ASSEMBLY -----	19
11	DECK & MAIN INPUT PTO SHAFTS -----	21
12	FRONT MID-SHIP & REAR PTO SHAFTS -----	23
13	PART NUMBER / PAGE CROSS REFERENCE -----	26

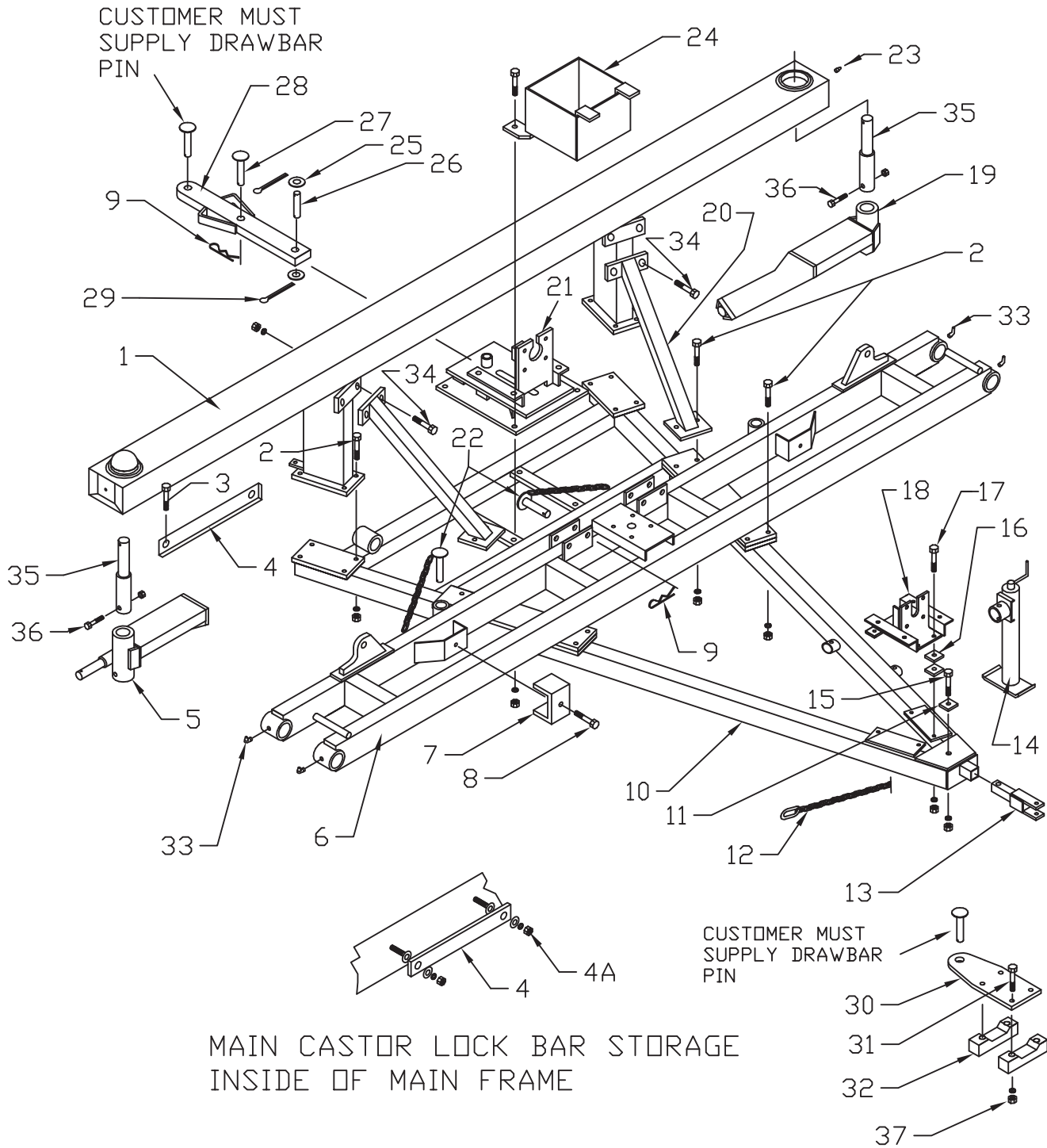


Website: www.progressiveturfequip.com

Email: info@progressiveturfequip.com

Issue Date: Oct 31, 2007

MAIN FRAME COMPONENTS

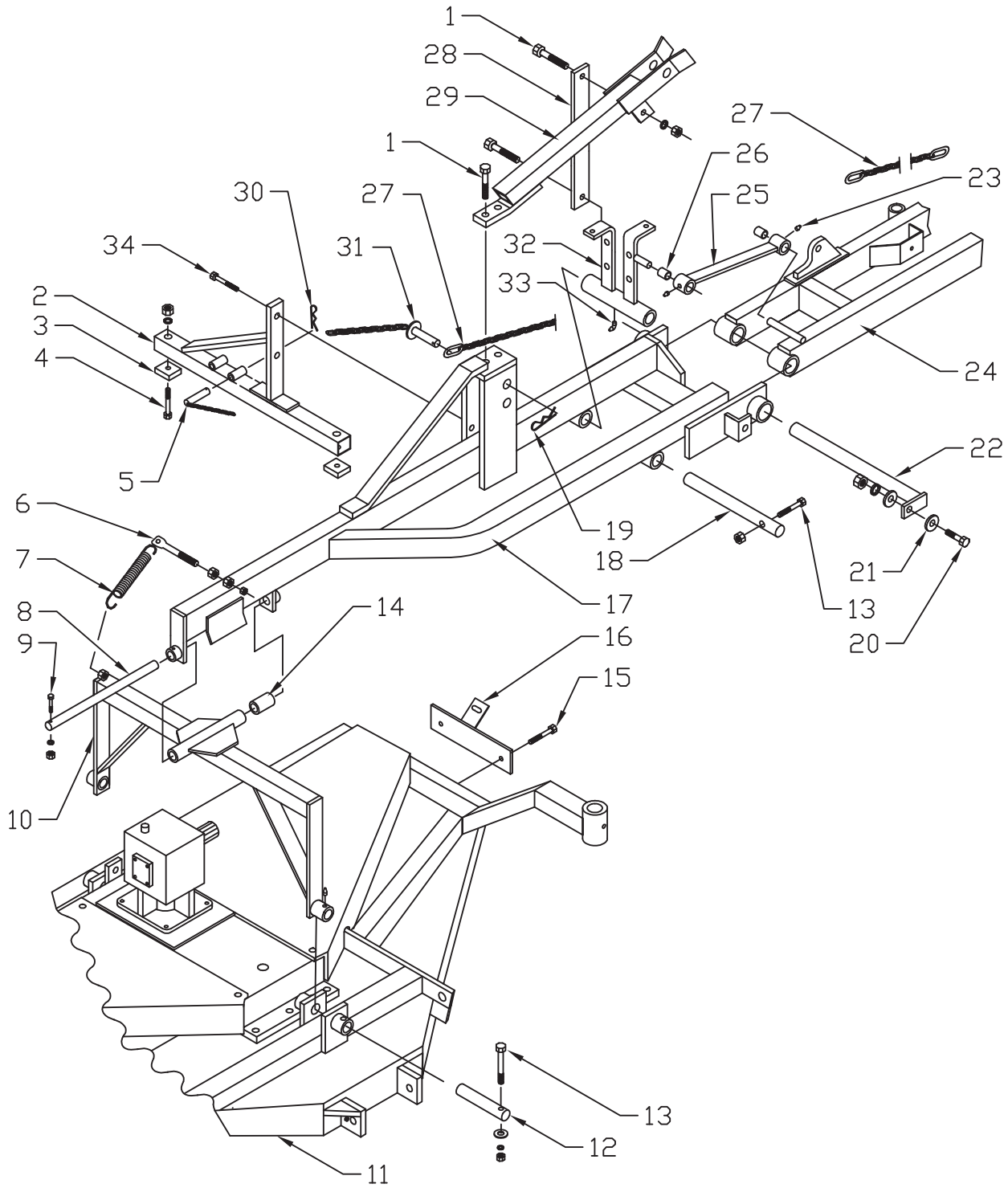


MAIN FRAME COMPONENTS

ITEM	PART NO.	DESCRIPTION	SERIAL NUMBER	QTY
1	523133	CASTOR FRAME		1
2	O. L.	HEX BOLT - 5/8" X 2"		28
3	O. L.	HEX BOLT - 1/2" X 1 1/2"		4
4	523136	CASTOR LOCK BAR		2
4A	O. L.	HEX NUT - 7/16"		2
	O. L.	FLAT WASHER - 7/16"		2
5	523170	CASTOR ARM - RIGHT HAND		1
6	523130	WING FRAME		1
7	521051	HOSE CLAMP		2
8	O. L.	HEX BOLT - 3/8" X 1 1/2"		2
9	O. L.	HAIR PIN - 3/16"		4
10	523131	MAIN FRAME		1
11	521857	SAFETY CHAIN WASHER		1
12	521048	SAFETY CHAIN		1
13	523143	HITCH		1
14	219003	IMPLEMENT JACK - 5000#		1
15	O. L.	HEX BOLT - 3/4" X 5"		1
16	522414	SPACER KIT - 4 PCS - 1/2" X 2" X 2"		4 KITS
17	O. L.	HEX BOLT - 1/2" X 3 1/2" FULL THREAD		4
18	523182	PTO SUPPORT - FRONT	0636146 - CURRENT	1
	523075	PTO SUPPORT - FRONT	0136001-0636146	1
19	523171	CASTOR ARM - LEFT HAND		1
20	523088	CASTOR FRAME BRACE		2
21	523061	PTO SUPPORT - QUICK HITCH		1
22	523138	PIN - 1" X 4 3/4" W/ CHAIN		4
23	O. L.	GREASE FITTING 1/4 - 28, STR		2
24	523094	CHAIN BOX		1
25	O. L.	FLAT WASHER - 1"		2
26	523173	PIN - 1" X 3" C/W CLIPS		1
27	523158	PIN - 1" X 4 3/4"		1
28	523051	DRAWBAR		1
29	O. L.	COTTER PIN - 3/16 X 1 1/2		6
30	523064	ADJUSTABLE HITCH PLATE		1
31	O. L.	HEX BOLT - 5/8" X 4" GRADE 8		4
32	523082	HITCH LOCK BAR		2
33	O. L.	90° GREASE FITTING 1/4 - 28		4
34	O. L.	HEX BOLT - 5/8" X 2 1/2"		4
35	230020	SPINDLE - 6000# BOLT ON	SER. # 023627 & ABOVE	2
36	O. L.	HEX BOLT - 5/8" X 4 1/2" - NC GRADE 8	SER. # 023627 & ABOVE	2
37	O. L.	HEX NUT - 5/8" NC GRADE 8		4

NOTES: "O.L." - Obtain Locally "QTY" Shown Represents Total "QTY" per Machine

WING FRAME COMPONENTS

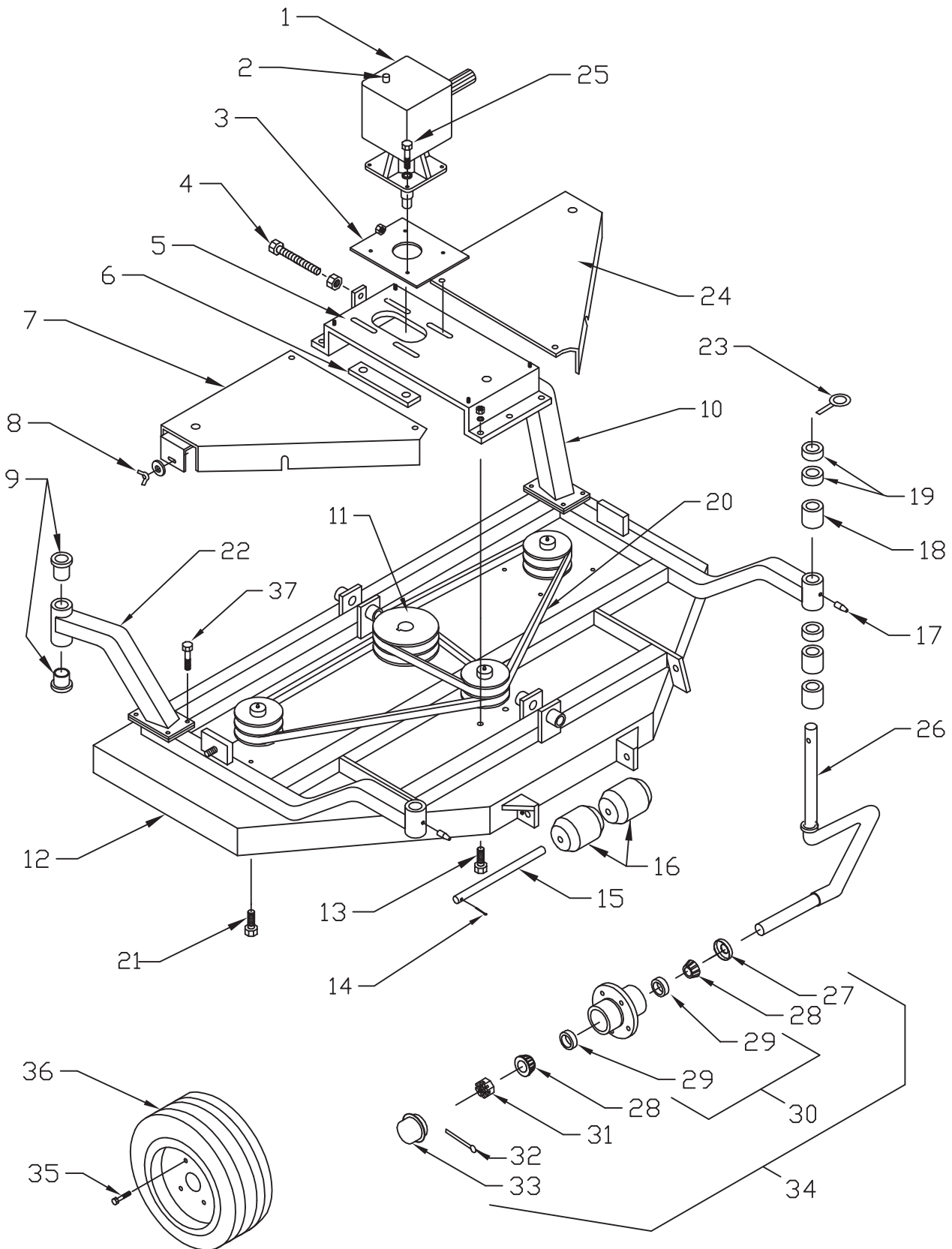


WING FRAME COMPONENTS

ITEM	PART NO.	DESCRIPTION	SERIAL NUMBER	QTY
1	O. L.	HEX BOLT - 5/8" X 2"		8
	O. L.	5/8" - LOCKWASHER AND HEX NUT		12
2	523035	DECK LOCKING BRACKET		2
3	600512	WEAR BLOCK - KIT (4 PCS)		1 KIT
4	O. L.	HEX BOLT - 3/8" X 2 1/4"		4
	O. L.	3/8" - LOCK WASHER AND HEX NUT		4
5	523132	DECK LOCK PIN		2
	O. L.	COTTER PIN - 3/16 X 1 1/2		4
6	521102	EYE BOLT - 1/2" X 3 1/2"		2
	O. L.	HEX NUT - 1/2"		4
7	521431	SWIVEL SPRING		2
8	523153	SWIVEL PIN - 1 1/4" X 20 3/4"		2
9	O. L.	HEX BOLT - 3/8" X 2 1/4"		2
	O. L.	3/8" - LOCKWASHER AND HEX NUT		2
10	521422	DECK SWIVEL		2
11	523141	MOWER DECK		2
12	521346	PIVOT PIN - 1" X 7"		4
13	O. L.	HEX BOLT - 3/8" X 2"		6
	O. L.	3/8" -HEX NUT AND LOCKWASHER		6
14	523151	SWIVEL SPACER		2
15	O. L.	HEX BOLT - 3/8" X 1"		4
	O. L.	3/8" - LOCKWASHER AND HEX NUT		4
16	523073	DECK LOCKING BAR		2
17	523034	LEFT WING		1
	523033	RIGHT WING - (SHOWN)		1
18	523154	PTO PIVOT PIN - 1" X 17"		2
19	O. L.	HAIR PIN - 3/16"		2
20	O. L.	HEX BOLT - 3/8" X 1 1/4"		2
	O. L.	3/8" - LOCK WASHER AND HEX NUT		2
21	O. L.	FLAT WASHER - 3/8"		4
22	523155	WING PIVOT PIN		2
23	O. L.	GREASE FITTING 1/4 - 28, STR		4
24	523130	WING FRAME		1
25	523058	PTO SWIVEL LINK C/W BUSHINGS		2
26	523502	WEAR BUSHING - KIT (4 PCS)		1 KIT
27	115007	SAFETY CHAIN		2
28	523011	WING LOCK BRACE		2
29	523019	WING LOCK ARM - RH (SHOWN)		1
	523024	WING LOCK ARM - LH		1
30	O. L.	HAIR PIN - 1/8"		2
31	523138	PIN - 1" X 4 3/4"		2
32	523065	PTO PIVOT		2
33	O. L.	GREASE FITTING 1/4 - 28 90 DEG		2
34	O. L.	HEX BOLT - 1/2" X 1 3/4"		4
	O. L.	1/2" -HEX NUT AND LOCKWASHER		4

NOTES: "O.L." - Obtain Locally "QTY" Shown Represents Total "QTY" per Machine

MOWER DECK ASSEMBLY

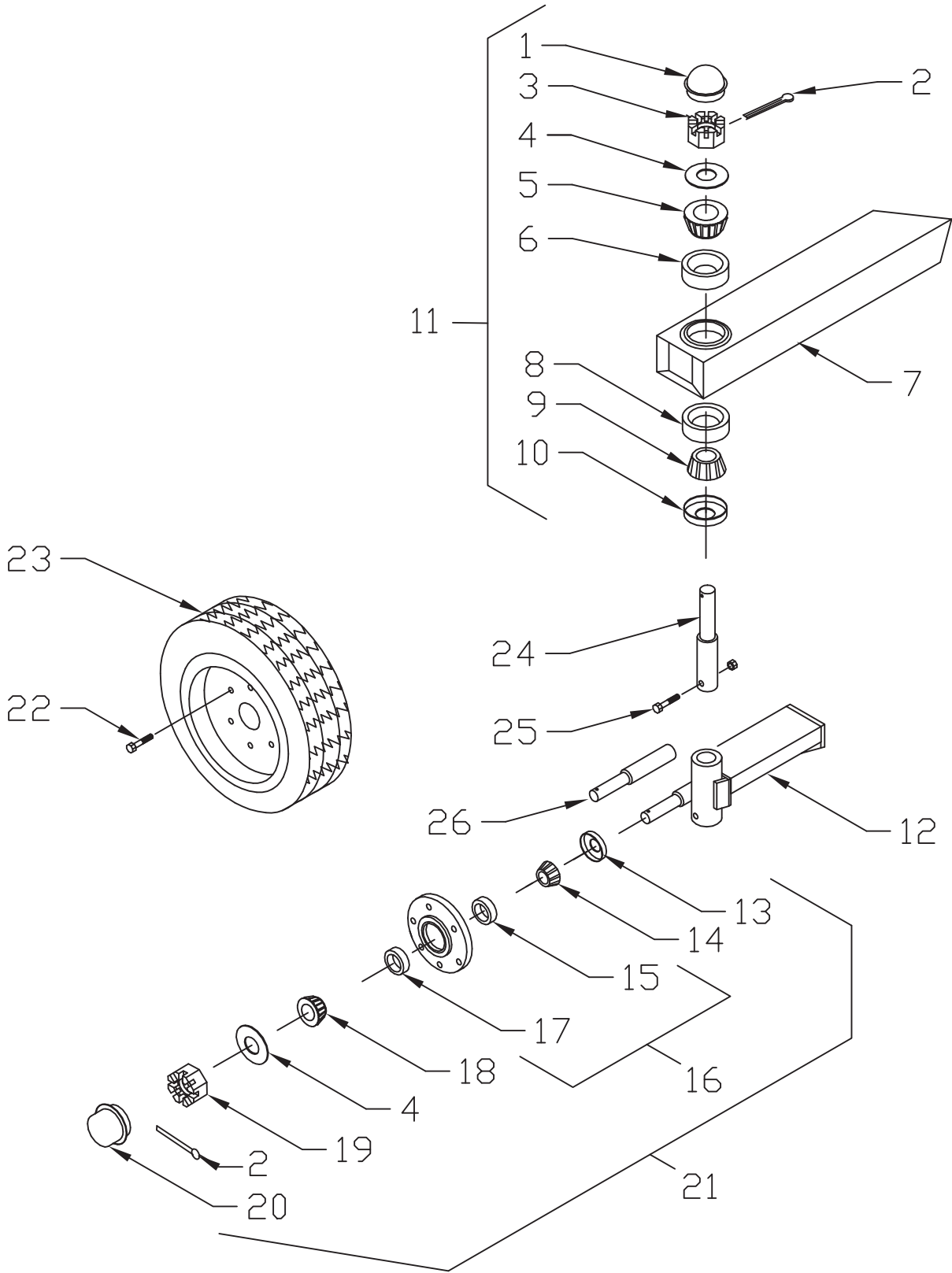


MOWER DECK ASSEMBLY

ITEM	PART NO.	DESCRIPTION	SERIAL NUMBER	QTY
1	521432	DECK GEARBOX COMPLETE		2
2	521433	OIL LEVEL DIPSTICK		2
3	521013	SLIDE PLATE		2
4	521020	TAP BOLT KIT - 1/2" X 3 1/2" (3 PCS)		1 KIT
5	521019	GEARBOX MOUNT		2
6	521018	STIFFENER NUT BRACKET		4
7	521400	BELT GUARD - RH		2
8	O. L.	WING NUT - 3/8"		12
	O. L.	FLAT WASHER - 3/8"		12
9	521831	BUSHING - CASTOR WHEEL PIVOT		16
10	523149	REAR CASTOR ARM - RH		2
11	521774	MAIN DRIVE PULLEY		2
12	523141	MOWER DECK - PM36		2
13	O. L.	HEX BOLT - 7/16" X 1"		12
	O. L.	LOCKWASHER - 7/16"		12
	O. L.	HEX NUT - 7/16"		12
14	O. L.	COTTER PIN - 3/16 X 1 1/2		2
15	522400	PIN - 5/8" X 10 5/8"- C/W PIN		2
16	209001	ANTI-SCALP ROLLER - BLACK		4
17	O. L.	GREASE FITTING 1/4 - 28, STR		8
18	521030	RD. SPACER KIT - 1 1/4" x 1" (6 PCS)		4 KITS
19	521029	RD. SPACER KIT - 1 1/4" x 3/8" (6 PCS)		4 KITS
20	521034	BELT - B90		4
21	O. L.	HEX BOLT - 7/16" X 1 1/2"		24
	O. L.	FLAT WASHER - 7/16"		24
	O. L.	LOCKWASHER - 7/16"		24
	O. L.	HEX NUT - 7/16"		24
22	523150	REAR CASTOR ARM - LH		2
23	521844	LYNCH PIN KIT - 1/2 RD. (6 PCS)		2 KITS
24	521401	BELT GUARD - LH		2
25	O. L.	HEX BOLT - 9/16" X 2"		8
	O. L.	LOCKWASHER - 9/16"		8
26	521404	SWIVEL CASTOR - 1 1/4" DIA.		8
27	521493	BEARING SEAL		8
28	521494	TAPPERED ROLLER BEARING		16
29	521744	BEARING CUP		16
30	521495	HUB - C/W BEARING CUPS		8
31	521747	CASTELLATED NUT KIT 1" - 14 (2 PCS)		4 KITS
32	O. L.	COTTER PIN - 3/16 X 2		8
33	521748	GREASE CAP		8
34	521405	HUB ASSEMBLY - 1000# COMPLETE		8
35	521093	WHEEL STUD KIT - 1/2" NF (6 PCS)		7 KITS
36	521028	TIRE ASSEMBLY - 18 - 9.5 X 8		8
	521052	TIRE ONLY - 18 - 9.5 X 8		8
	521398	RIM ONLY - FOR 521028		8
37	O. L.	HEX BOLT - 1/2" X 1 3/4"		16
	O. L.	1/2" - LOCKWASHER AND HEX NUT		16

NOTES: "O.L." - Obtain Locally "QTY" Shown Represents Total "QTY" per Machine

TRANSPORT TIRE ASSEMBLY

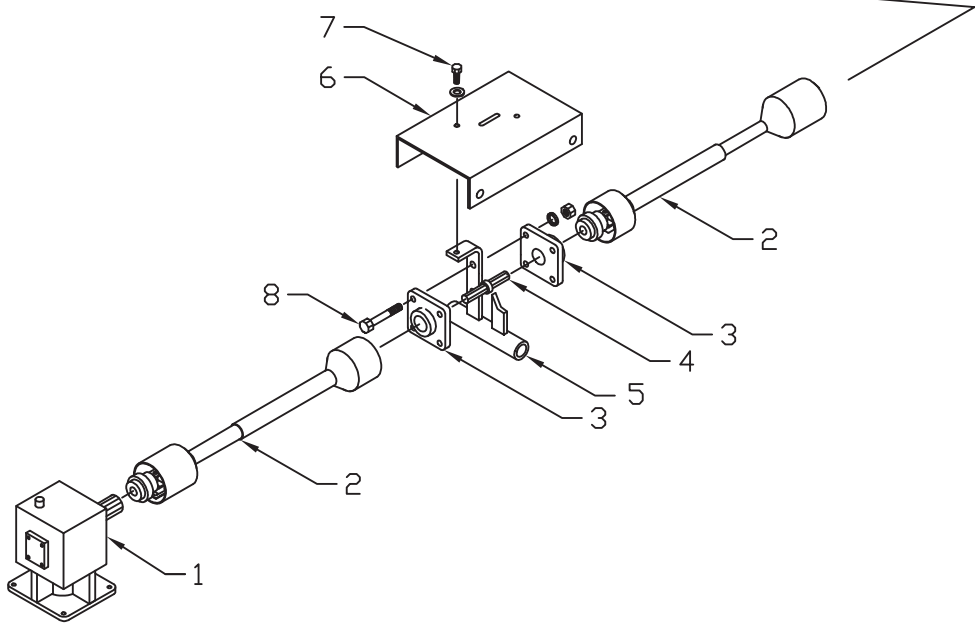
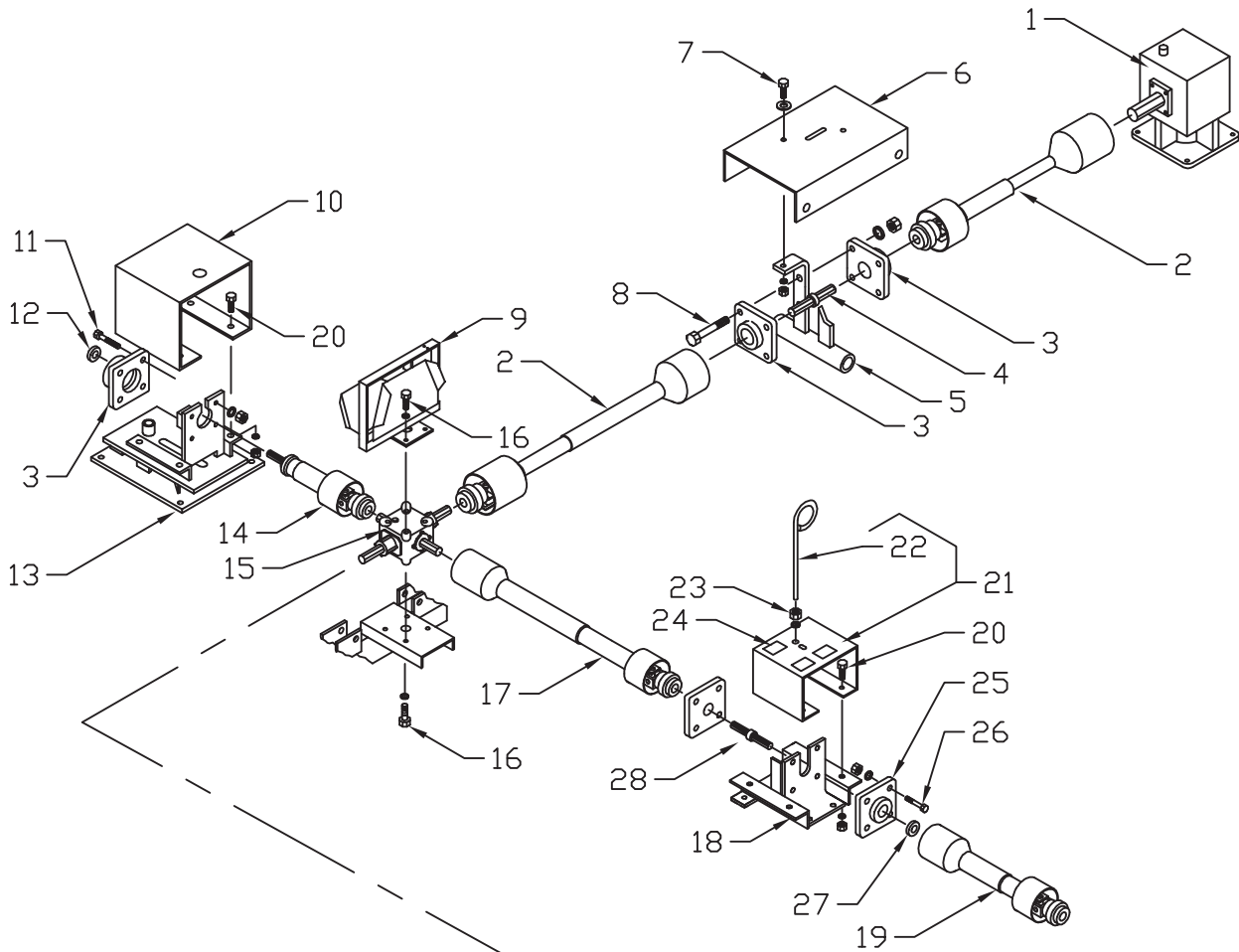


TRANSPORT TIRE ASSEMBLY

ITEM	PART NO.	DESCRIPTION	SERIAL NUMBER	QTY
1	230024	GREASE CAP		2
2	O. L.	COTTER PIN - 3/16 X 2		4
3	305616	CASTELLATED NUT KIT 1" - 14 (2 PCS)		1 KIT
4	521761	WASHER - SAE-1000 KIT (2 PCS)		2 KITS
5	213006	BEARING CONE OUTER - 6000#		2
6	IN KIT	OUTER CUP - 6000#		2
7	523133	CASTOR FRAME		1
8	IN KIT	INNER CUP - 6000#		2
9	213005	BEARING INNER CONE - 6000#		2
10	213009	GREASE SEAL		2
11	230023	HUB REBUILD KIT - 6000# (ITEMS 1-6, 8-10)		2
12	523170	CASTOR ARM - RIGHT HAND		1
	523171	CASTOR ARM - LEFT HAND		1
13	521741	BEARING SEAL		2
14	521756	INNER CONE - 4000#		2
15	521757	INNER CUP - 4000#		2
16	521758	HUB - 4000# C/W CUPS		2
17	521759	OUTER CUP - 4000#		2
18	521760	OUTER CONE - 4000#		2
19	521747	CASTELLATED NUT KIT 1" - 14 (2 PCS)		1 KIT
20	521762	HUB CAP		2
21	521085	HUB ASSEMBLY - 4000#		2
22	521083	WHEEL STUD KIT (6 PCS)		2
23	521084	TRANSPORT TIRE ASSEMBLY		2
	521084R	RIM - 15 X 10 X 6 BOLT		2
24	230020	SPINDLE - 6000# BOLT ON	SER. # 023627 & ABOVE	2
25	308190	HEX BOLT - 5/8" X 4 1/2" - NC GR 8	SER. # 023627 & ABOVE	2
26	230021	4000# SPINDLE - WELD ON PM36		2

NOTES: "O.L." - Obtain Locally "QTY" Shown Represents Total "QTY" per Machine

DRIVELINE COMPONENTS

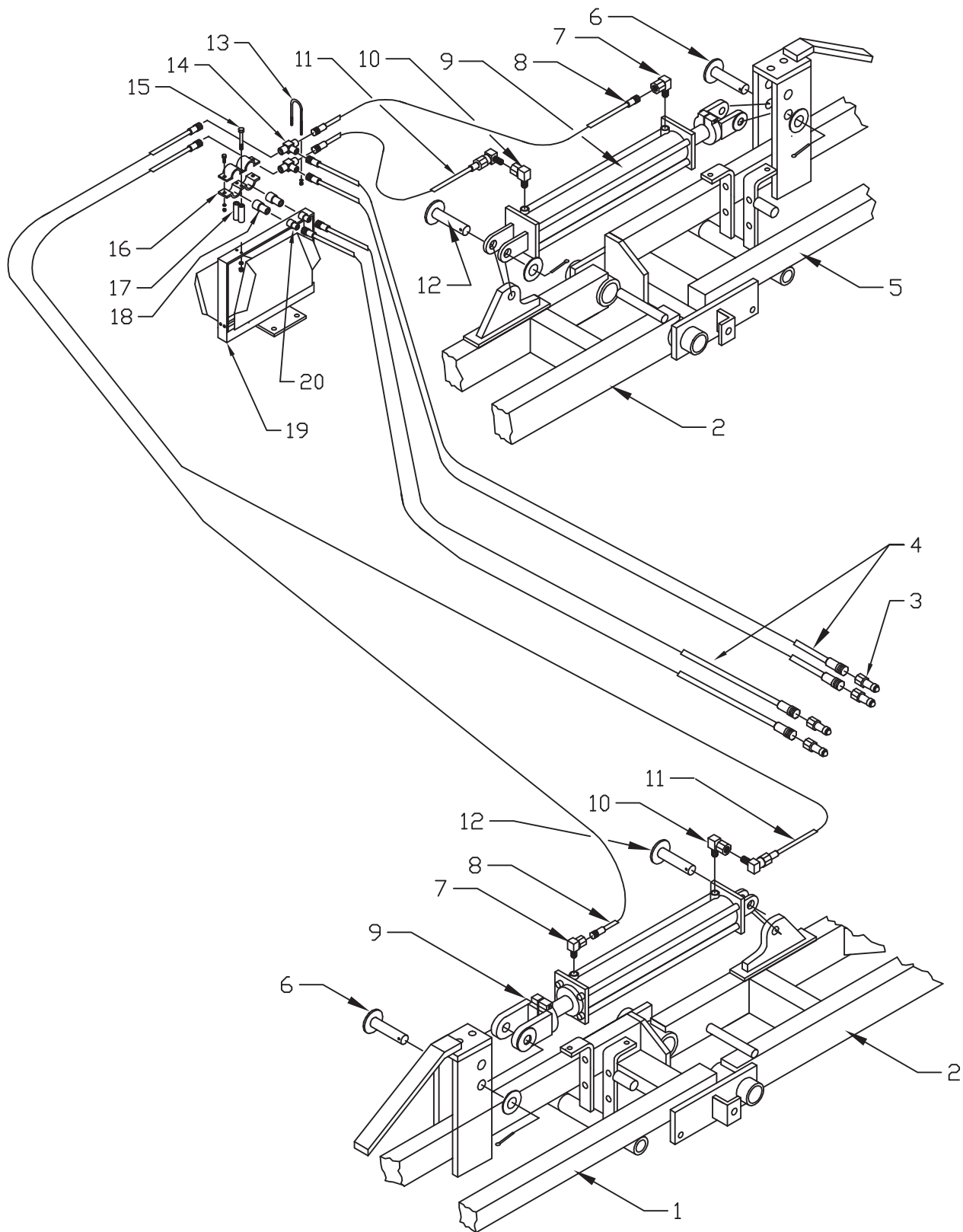


DRIVELINE COMPONENTS

ITEM	PART NO.	DESCRIPTION	SERIAL NUMBER	QTY
1	521432	DECK GEARBOX		2
2	521474	DECK PTO SHAFT		4
3	521323	HANGER BEARING - 1 3/8" DIA.		5
4	210022	JACKSHAFT - WING PTO		2
5	523065	PTO PIVOT		2
6	523037	PTO PIVOT SHIELD		2
7	O. L.	HEX BOLT - 3/8" X 3/4"		4
	O. L.	FLAT WASHER - 3/8"		4
8	O. L.	HEX BOLT - 1/2" X 2 1/2"		8
	O. L.	LOCKWASHER - 1/2"		8
	O. L.	HEX NUT - 1/2"		8
9	523085	MAIN GEARBOX SHIELD		1
10	523067	REAR JACKSHAFT SHIELD		1
11	O. L.	HEX BOLT - 1/2" X 1 3/4"		8
	O. L.	LOCKWASHER - 1/2"		8
	O. L.	HEX NUT - 1/2"		8
12	523169	PTO SPACER - 1 3/8" ID		1
13	523061	PTO SUPPORT - QUICK HITCH		1
14	210019	REAR PTO SHAFT		1
15	521497	GEARBOX - 4 WAY		1
16	521764	METRIC BOLT KIT - M12 X 30 (8 PCS)		1 KIT
	IN KIT	LOCKWASHER - 1/2"		1
17	210070	INTERMEDIATE PTO SHAFT	0636146 - CURRENT	1
	210021	INTERMEDIATE PTO SHAFT	0136001-0636146	1
18	523182	FRONT PTO SUPPORT	0636146 - CURRENT	1
	523075	FRONT PTO SUPPORT	0136001-0636146	1
19	210023	INPUT PTO SHAFT		1
20	O. L.	HEX BOLT - 1/2" X 1 1/2"		8
	O. L.	HEX NUT - 1/2"		8
	O. L.	LOCKWASHER - 1/2"		8
21	522208	SHIELD & HOSE SUPPORT		1
22	522413	HOSE SUPPORT & HARDWARE		1
23	O. L.	HEX NUT - 5/8"		2
24	209106	SAFETY DECAL KIT - PM36		1
25	213015	HANGER BEARING - 1 3/4" DIA.		2
26	O. L.	HEX BOLT - 5/8" X 2 1/2"		4
	O. L.	HEX NUT - 5/8"		4
	O. L.	LOCKWASHER - 5/8"		4
27	523165	PTO SPACER - 1 3/4" ID		1
28	210071	INPUT JACKSHAFT 20 TEETH	0636146 - CURRENT	1

NOTES: "O.L." - Obtain Locally "QTY" Shown Represents Total "QTY" per Machine

HYDRAULIC COMPONENTS

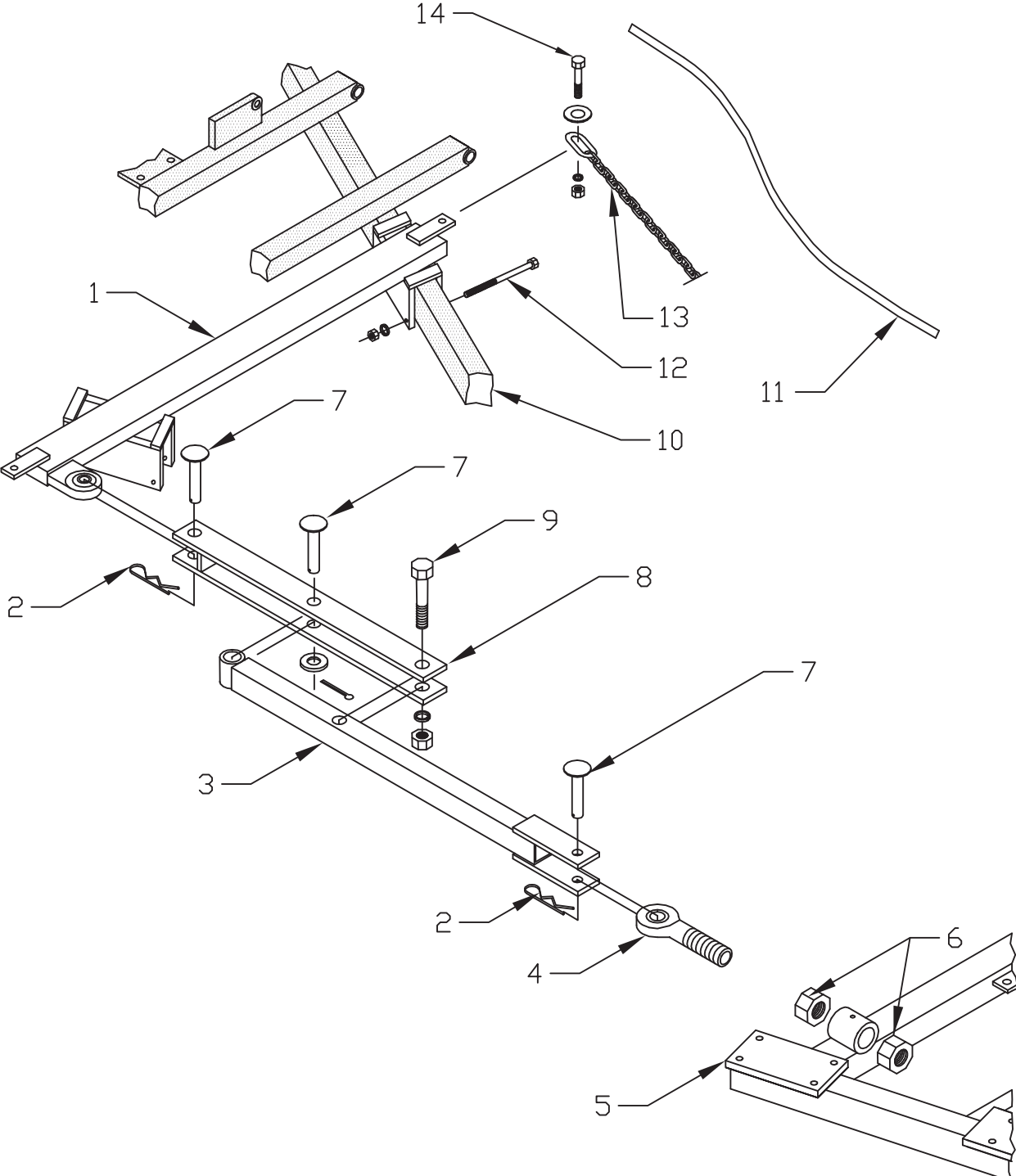


HYDRAULIC COMPONENTS

ITEM	PART NO.	DESCRIPTION	SERIAL NUMBER	QTY
1	523033	RIGHT WING		1
2	523130	WING FRAME		1
3	222006	HOSE END KIT - (2 PCS)		2
4	521413	HYDRAULIC HOSE - 3/8" X 152"		4
5	523034	LEFT WING		1
6	521103	PIN - 1" X 4 3/4"		2
	O. L.	FLAT WASHER - 1"		4
	O. L.	COTTER PIN - 3/16 X 1 1/2		2
7	222012	HYDRAULIC RESTRICTOR - 90 DEG	0136012 & UP	2
	222007	HYDRAULIC RESTRICTOR - 90 DEG	0136001 - 011	2
8	221008	HYDRAULIC HOSE - 3/8" X 98"		2
9	220004	HYDRAULIC CYLINDER - 3 1/2" X 24"	0136002 & UP	2
	220006	HYDRAULIC CYLINDER - 3 1/2" X 24"	136001	2
	220005	SEAL KIT - 3 1/2" CYLINDER FOR 220004		1
10	222013	HYDRAULIC FITTING 90 DEG	0136012 & UP	2
	222008	HYDRAULIC FITTING 90 DEG	0136001 - 011	2
11	221007	HYDRAULIC HOSE - 3/8" X 72"		2
12	521345	PIN -1" X 3" C/W CLIPS		2
13	304202	U BOLT - 5/16"		1
14	521770	HYDRAULIC T CONNECTOR		2
15	O. L.	HEX BOLT - 5/16" X 3"		2
	O. L.	LOCKWASHER - 5/16"		2
	O. L.	HEX NUT - 5/16"		2
16	229005	QUICK DISCONNECT MOUNTING KIT		1
17	KIT	SPACER PIPE - INCLUDED IN KIT 229005		2
18	222010	HOSE END - FEMALE QD. KIT (2 PCS)		1 KIT
19	523085	MAIN GEARBOX SHIELD		1
20	222011	ADAPTOR 1/2 NPT (M) - 3/8 NPT (F)		2

NOTES: "O.L." - Obtain Locally "QTY" Shown Represents Total "QTY" per Machine

CONNECTING FRAME COMPONENTS

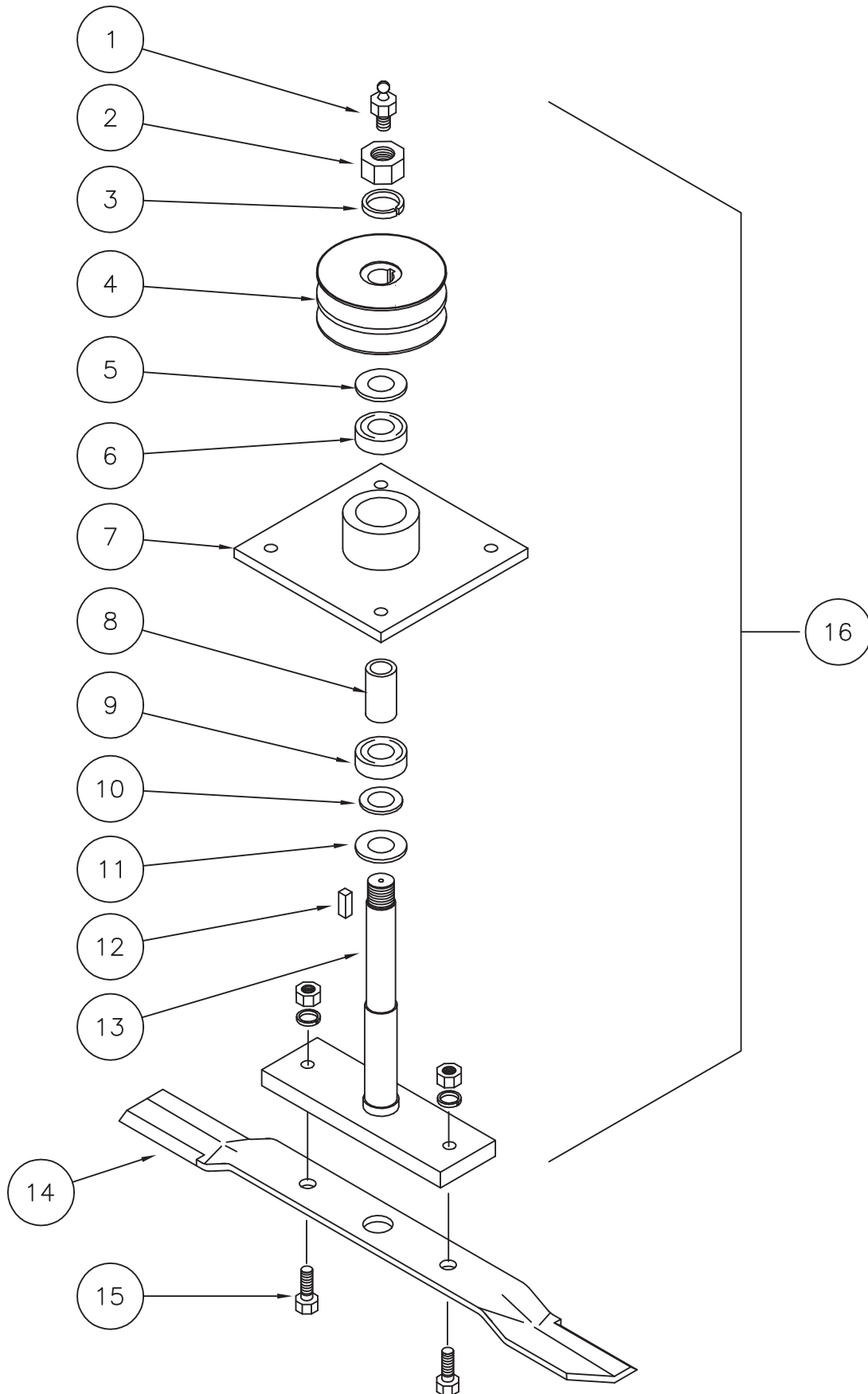


CONNECTING FRAME COMPONENTS

ITEM	PART NO.	DESCRIPTION	SERIAL NUMBER	QTY
1	523050	TD92 FRAME ATTACHMENT		1
2	O. L.	HAIR PIN - 3/16"		2
3	523041	CONNECTING ARM		1
4	213011	TOP LINK - 1 1/4"		1
5	523131	PM36 MAIN FRAME		1
6	O. L.	HEX NUT - 1 1/4"		2
7	523030	PIN - 1" X 4 3/4"		3
	O. L.	FLAT WASHER - 1"		1
	O. L.	COTTER PIN - 3/16 X 1 1/2		1
8	523045	CONNECTING LINK		1
9	O. L.	HEX BOLT - 3/4" X 4"		1
	O. L.	LOCKWASHER - 3/4"		1
	O. L.	HEX NUT - 3/4"		1
10	-----	TD 92 FRAME		-----
11	119003	PULL ROPE - 25'		1
12	O. L.	HEX BOLT - 1/2" X 3 1/2"		4
	O. L.	LOCKWASHER - 1/2"		4
	O. L.	HEX NUT - 1/2"		4
13	115008	SAFETY CONNECTING CHAIN - 5/16"		2
14	O. L.	HEX BOLT - 1/2" X 1 1/2"		4
	O. L.	LOCKWASHER - 1/2"		4
	O. L.	HEX NUT - 1/2"		4
	O. L.	FLAT WASHER - 1/2"		4

NOTES: "O.L." - Obtain Locally "QTY" Shown Represents Total "QTY" per Machine

BLADE SPINDLE ASSEMBLY

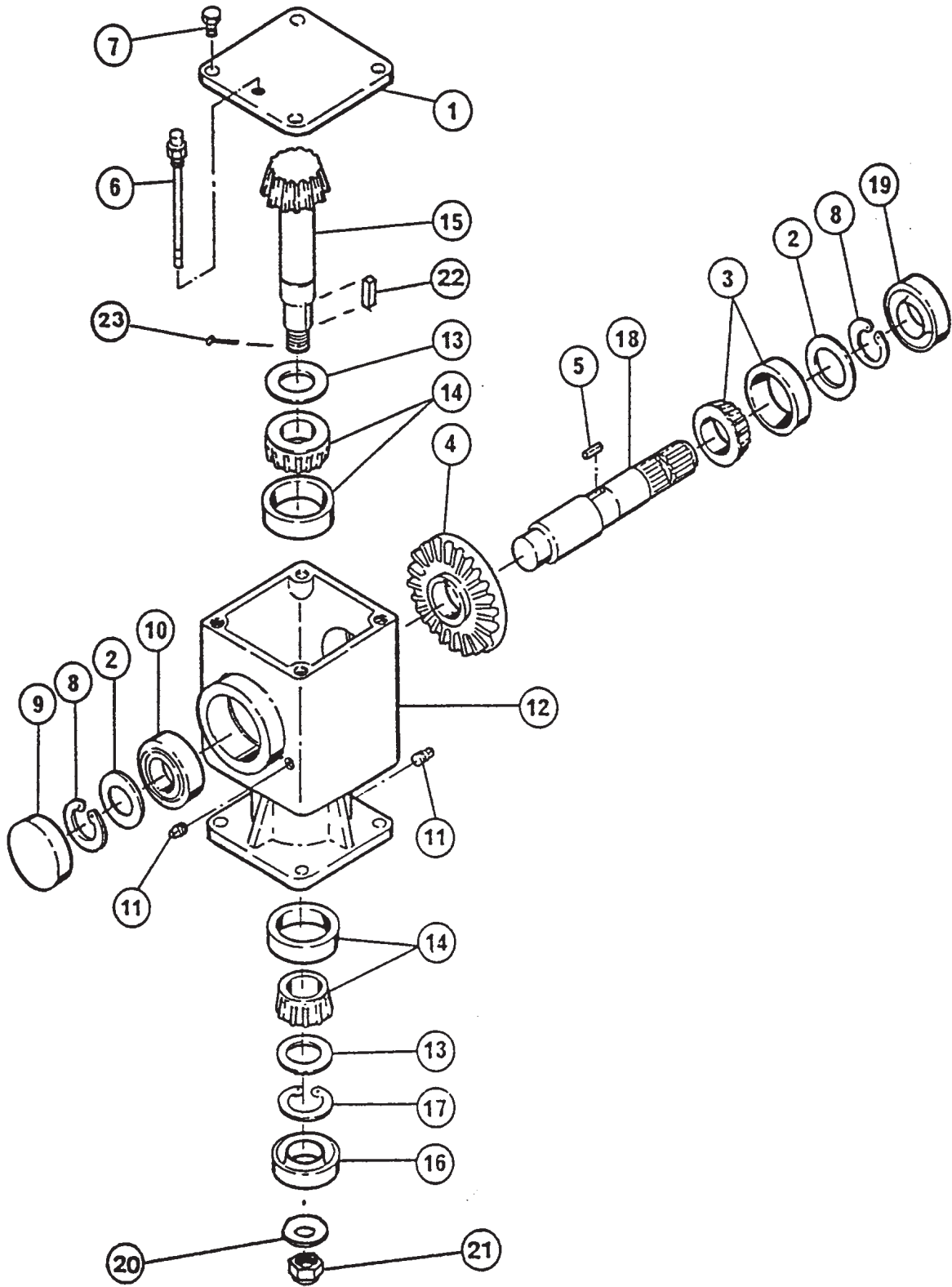


BLADE SPINDLE ASSEMBLY

ITEM	PART NO.	DESCRIPTION	SERIAL NUMBER	QTY
1	O. L.	GREASE FITTING 1/4 - 28, STR		6
2	521003	HEX NUT - LEFT HAND		6
3	521002	LOCKWASHER - LEFT HAND KIT (3 PCS)		2 KITS
4	521775	PULLEY - 2HB 5.9"		6
5	521004	SHIM WASHER 1 1/4" KIT (9 PCS)		1 KIT
6	521005	TOP BEARING - 6207ZC3 (STEEL SHIELD UP)		6
7	521006	SPINDLE HOUSING		6
8	521007	BEARING SPACER		6
9	521445	BOTTOM BEARING - 6207LBZC3 (STEEL SHIELD UP)		6
10	521008	SHIM WASHER 1 3/8" KIT (9 PCS)		1 KIT
11	521009	DIRT SHIELD KIT (3 PCS)		2 KITS
12	O. L.	KEY - 1/4" X 1/4" X 1 9/16"		6
13	521010	BLADE SPINDLE		6
14	521011	BLADE - 32" - STD LIFT		6
	521492	BLADE - 32" - LOW LIFT		
15	O. L.	HEX BOLT - 1/2" X 1 3/4"		12
	O. L.	LOCKWASHER - 1/2"		12
	O. L.	HEX NUT - 1/2"		12
16	521777	COMPLETE SPINDLE ASSEMBLY		6
	521438	COMPLETE SPINDLE ASS. - LESS PULLEY		

NOTES: "O.L." - Obtain Locally "QTY" Shown Represents Total "QTY" per Machine

DECK GEARBOX

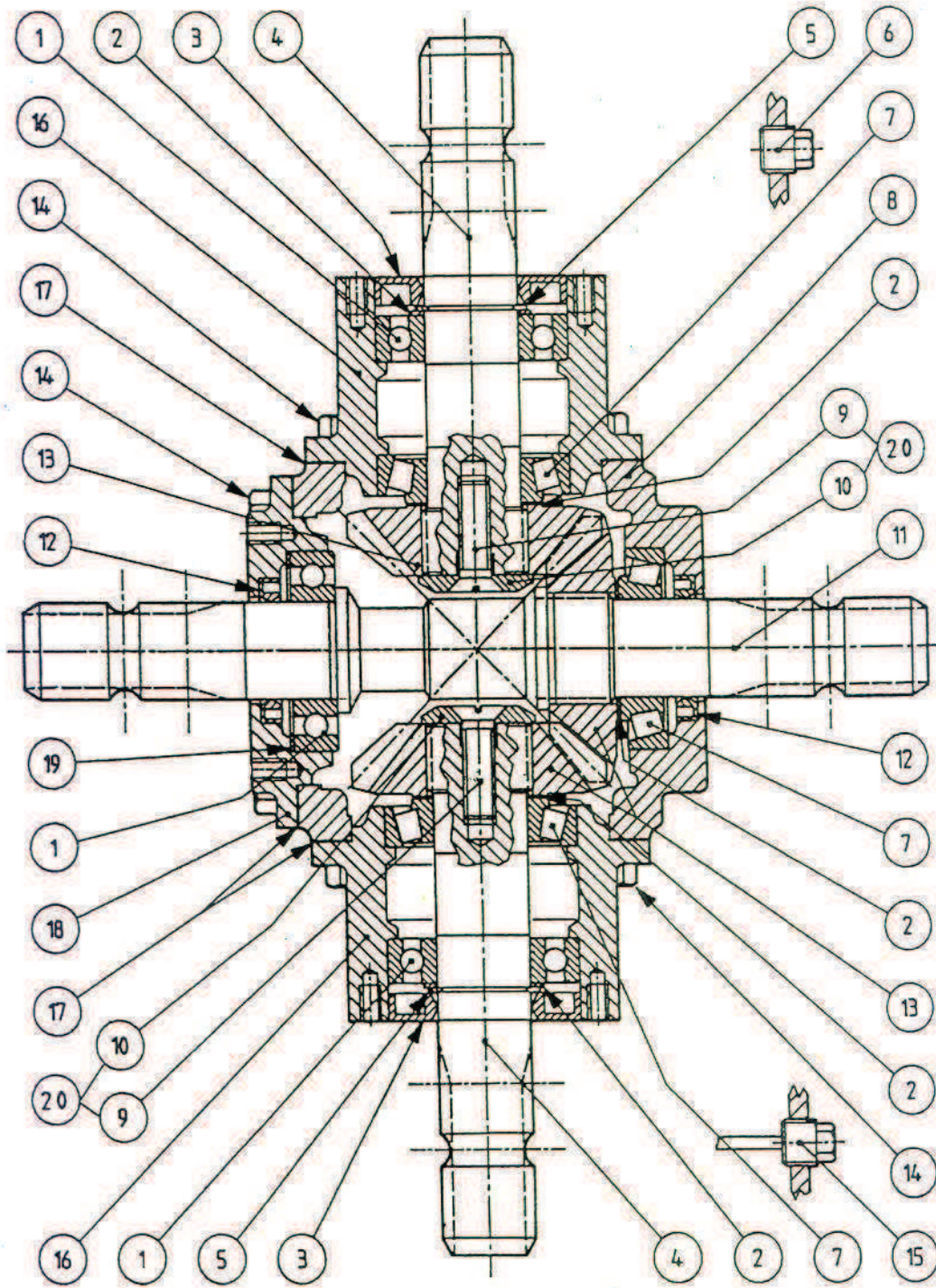


DECK GEARBOX ASSEMBLY

ITEM	PART NO.	DESCRIPTION	SERIAL NUMBER	QTY
1	521420	COVER PLATE		1
2	521491	WASHER - SHIM (60 X 72) (3 PCS)		1 KIT
3	521362	BEARING - 30207		1
4	521434	GEAR - Z34		1
5	521444	KEY - 12 X 8 X 30		1
6	521433	OIL LEVEL DIPSTICK		1
7	521399	BOLT - M8 X 14 - 8.8		4
8	521126	SNAP RING KIT - 72 UNI7437 (3 PCS)		1 KIT
9	521443	CAP - 72 X 10		1
10	521116	BEARING - 6207		1
11	521482	PIPE PLUG - 3/8"		1
12	521428	CASING		1
13	521436	SHIM KIT - 51.5		2
14	521442	BEARING - 30208		2
15	521435	PINION SHAFT		1
16	521440	OIL SEAL - 40 X 80 X 10		1
17	521439	SNAP RING KIT - 40 UNI7436 (3 PCS)		1 KIT
18	521441	SHAFT - 1 3/8" - 6 SPLINE		1
19	521127	OIL SEAL - 35 X 72 X 10/7		1
20	521129	WASHER KIT - 25 X 44 X 4 (3 PCS)		1 KIT
21	521130	CASTALATED NUT M24 X 2		1
22	521390	KEY - 1/4" X 1/4" X 1 5/16"		1
23	521122	COTTER PIN - KIT - B5 X 50 (3 PCS)		1 KIT
	521432	COMPLETE GEARBOX		1

NOTES: "QTY" Shown Represents Total "QTY" for **ONE** Gearbox

4 – WAY GEARBOX ASSEMBLY

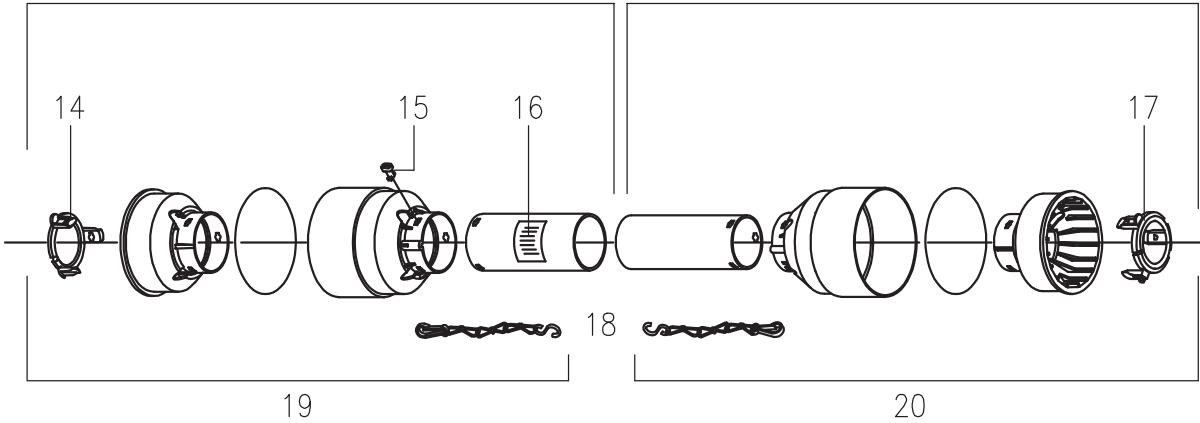
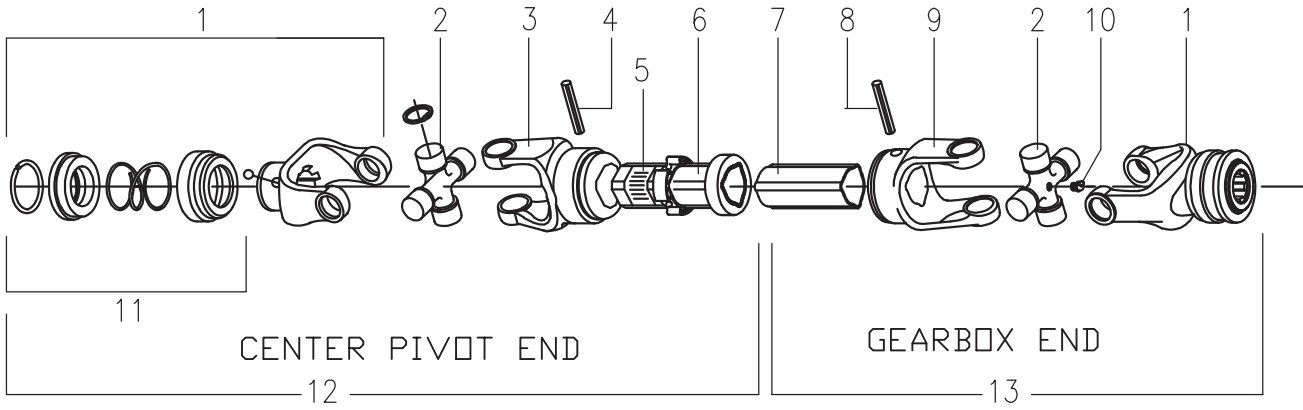


MAIN 4 WAY GEARBOX ASSEMBLY

ITEM	PART NO.	DESCRIPTION	SERIAL NUMBER	QTY
1	521116	BEARING 6207		3
2	521794	SHIM KIT - 48.0		6
3	521127	OIL SEAL - 35 X 72 X 10/7		2
4	521481	STUB SHAFT - 1 3/8" SPLINE		2
5	521137	SNAP RING - 35 UNI 7435		4
6	521482	3/8" PIPE PLUG		2
7	521362	BEARING - 30207		3
8	521483	HOUSING		1
9	KIT 20	BOLT - M12 X 40 - 10.9		2
10	KIT 20	WASHER BLANK		2
11	521486	THRU SHAFT 1 3/8" X 1 3/8"		1
12	521120	OIL SEAL - 35 X 52 X 7		2
13	521487	GEAR Z18 M5		3
14	521488	BOLT - M12 X 25 - 8.8 KIT (6 PCS)		2 KITS
15	521489	OIL LEVEL DIPSTICK		1
16	521796	EXTENSION HOUSING		2
17	521793	GASKET		3
18	521797	COVER		1
19	521491	WASHER - SHIM (60 X 72) (3 PCS)		1 KIT
20	522426	BOLT KIT - ITEMS 9 (2) & 10 (2)		1 KIT

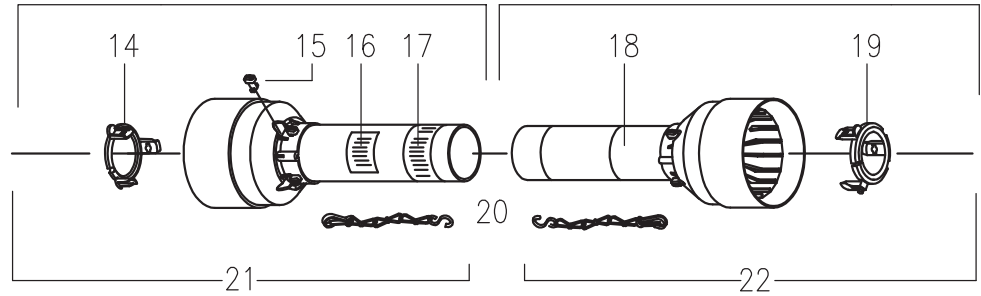
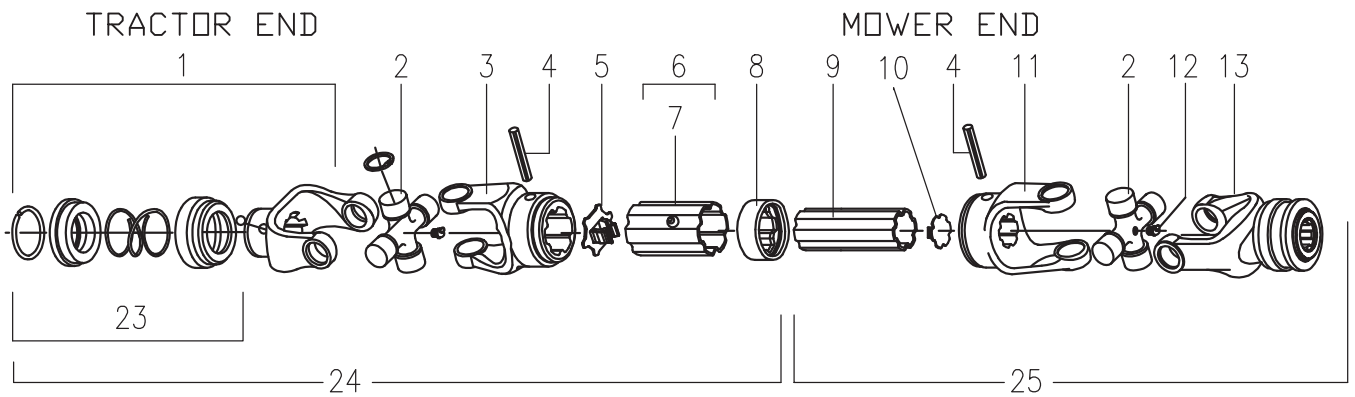
NOTES: "QTY" Shown Represents Total "QTY" for **ONE** Gearbox

DECK PTO ASSEMBLY



21 - COMPLETE PTO

MAIN INPUT SHAFT



26 - COMPLETE PTO

DECK PTO ASSEMBLY

ITEM	PART NO.	DESCRIPTION	SERIAL NUMBER	QTY
1	521800	QD. YOKE 1 3/8" - 6 SPLINE (CO2)		2
2	521801	CROSS & BEARING KIT		2
3	521802	OUTER TUBE YOKE		1
4	521803	ROLL PIN - M8 X 55		1
5	521451	"DANGER" LABEL FOR OUTER TUBE		1
6	521468	OUTER TUBE		1
7	521469	INNER TUBE		1
8	521781	ROLL PIN - M8 X 65		1
9	521805	INNER TUBE YOKE		1
10	521821	M67 GREASE FITTING		2
11	210017	COLLAR KIT - METALLIC		2
12	521470	1/2 FEMALE SHAFT WITH SHIELDING		1
13	521471	1/2 MALE SHAFT WITH SHIELDING		1
14	210050	COLLAR - OUTER TUBE - SERIES 40		1
15	521463	PLASTIC SHIELD BOLT KIT (6 PCS)		1 KIT
16	210049	COLLAR - INNER TUBE - SERIES 40		1
17	521455	"DANGER" LABEL FOR OUTER SHIELD		1
18	521467	SAFETY CHAIN		2
19	521472	1/2 FEMALE SHIELD WITH LABEL		1
20	521473	1/2 MALE SHIELD		1
21	521474	COMPLETE PTO SHAFT		1

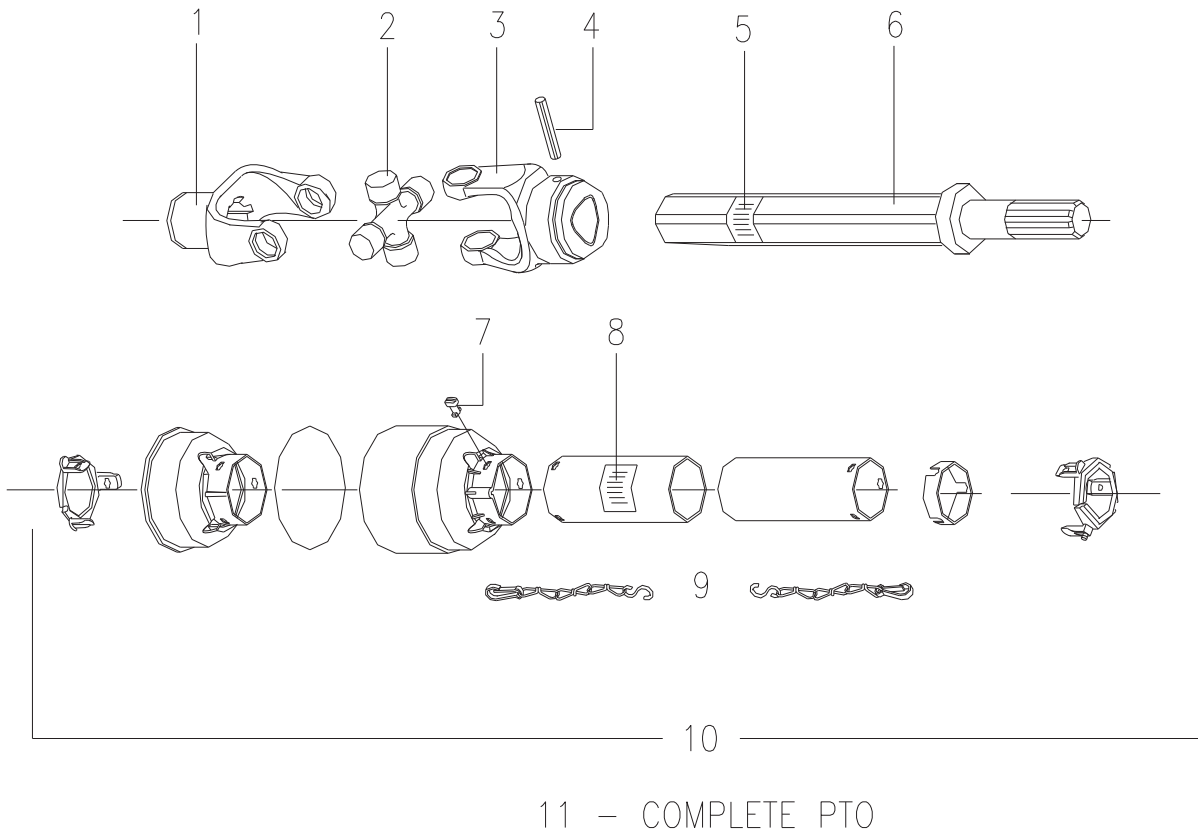
NOTES: "QTY" Shown Represents Total "QTY" for **ONE** PTO Shaft

MAIN INPUT PTO ASSEMBLY

ITEM	PART NO.	DESCRIPTION	SERIAL NUMBER	QTY
1	210025	QD. YOKE 1 3/8" - 6 SPLINE (CO2)		2
2	210026	CROSS & BEARING KIT		2
3	210027	OUTER TUBE YOKE		1
4	302605	ROLL PIN - M12 X 90		2
5	210059	OUTER TUBE PLUG		1
6	210028	OUTER TUBE		1
7	521451	"DANGER" LABEL FOR OUTER TUBE		1
8	210056	WIPER		1
9	210029	INNER TUBE		1
10	210060	INNER TUBE PLUG		1
11	210030	INNER TUBE YOKE		1
12	521821	M67 GREASE FITTING		2
13	210055	QD. YOKE 1 3/4" - 21 SPLINE (CO2)		1
14	210058	COLLAR - OUTER TUBE - SERIES 90		1
15	521463	PLASTIC SHIELD BOLT KIT (6 PCS)		1 KIT
16	521455	"DANGER" LABEL FOR OUTER SHIELD		1
17	209114	DECAL - "IMPORTANT" GREASING		1
18	209118	DECAL - TURNING INDICATOR		1
19	210057	COLLAR - INNER TUBE - SERIES 90		1
20	521467	SAFETY CHAIN		2
21	210034	1/2 FEMALE SHIELD WITH LABEL		1
22	210035	1/2 MALE SHIELD		1
23	210017	COLLAR KIT - METALLIC		2
24	210032	1/2 FEMALE SHAFT WITH SHIELDING		1
25	210033	1/2 MALE SHAFT WITH SHIELDING		1
26	210023	COMPLETE PTO SHAFT		1

NOTES: "QTY" Shown Represents Total "QTY" for **ONE** PTO Shaft

REAR OUTPUT SHAFT



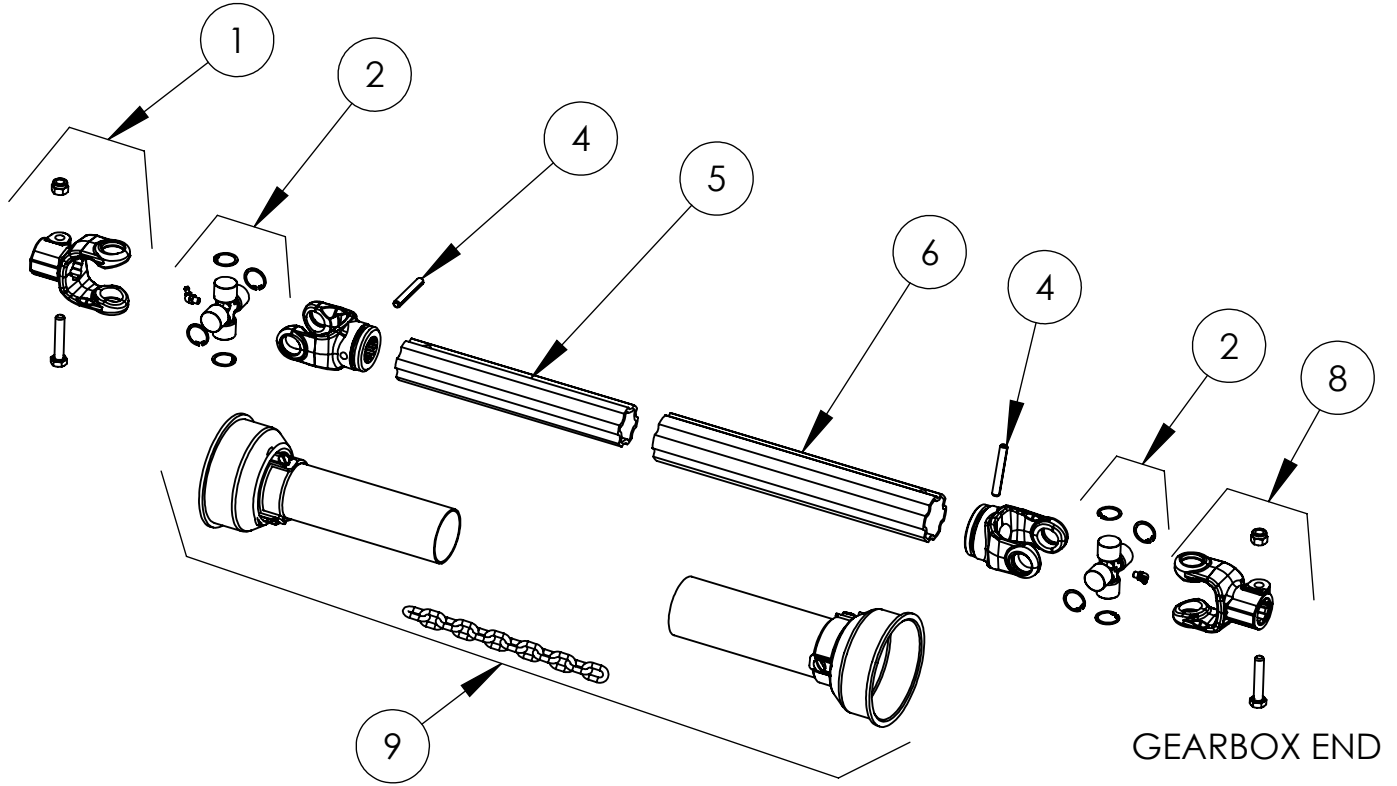
REAR OUTPUT SHAFT

ITEM	PART NO.	DESCRIPTION	SERIAL NUMBER	QTY
1	210011	SPLINED YOKE		1
2	521460	CROSS & BEARING KIT		1
3	210014	YOKE FOR OUTER TUBE		1
4	521450	ROLL PIN FOR OUTER TUBE		1
5	521451	"DANGER" LABEL FOR TUBE		1
6	210036	OUTER TUBE WITH SPLINED SHAFT		1
7	521463	PLASTIC SHIELD BOLT KIT (6 PCS)		1 KIT
8	521455	"DANGER" LABEL FOR OUTER SHIELD		2
9	521467	SAFETY CHAIN		2
10	210041	COMPLETE SHIELD TYPE "P" W/LABEL - Z60		1
11	210019	*COMPLETE PTO ASSEMBLY		1

NOTES: "QTY" Shown Represents Total "QTY" for **ONE** PTO Shaft

INTERMEDIATE SHAFT

STUB SHAFT END

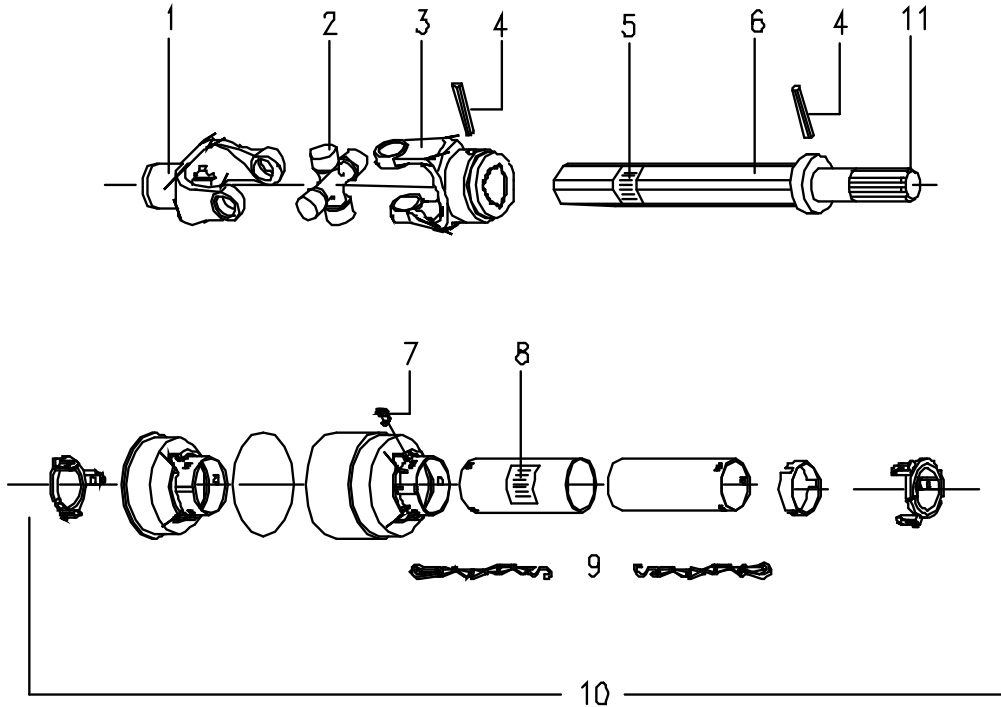


GEARBOX END

ITEM	PART #	DESCRIPTION	QTY
1	210074	YOKE - 1 3/4" W/ BOLT	1
2	210026	CROSS JOURNAL SET	2
3	210073	YOKE - INNER TUBE	1
4	521450	ROLL PIN OUTER AND INNER TUBE	2
5	210077	INNER TUBE	1
6	210076	OUTER TUBE	1
7	210039	YOKE - OUTER TUBE	1
8	210072	YOKE - 1 3/8" W/ BOLT	1
9	210075	COMPLETE GUARD SET	1
*	210070	COMPLETE PTO SHAFT	1

FRONT MID-SHIP SHAFTS

FOR SERIAL # 0136001 - 0636146



12 - COMPLETE PTO

ITEM	PART NO.	DESCRIPTION	SERIAL NUMBER	QTY
1	210037	SPLINED YOKE		1
2	210026	CROSS & BEARING KIT		1
3	210039	YOKE FOR OUTER TUBE		1
4	521450	ROLL PIN FOR OUTER TUBE		1
5	521451	"DANGER" LABEL FOR TUBE		1
6	210092	OUTER TUBE ONLY		1
7	521463	PLASTIC SHIELD BOLT KIT (6 PCS)		1 KIT
8	521455	"DANGER" LABEL FOR OUTER SHIELD		2
9	521467	SAFETY CHAIN		2
10	210042	COMPLETE SHIELD TYPE "P" W/LABEL - Z90		1
11	210093	SPLINED REPLACEMENT END		1
12	210021	*COMPLETE PTO ASSEMBLY		1

NOTES: "QTY" Shown Represents Total "QTY" for **ONE** PTO Shaft

Part No.	PG	ITEM
115007	4	27
115008	14	13
119003	14	11
209001	6	16
209106	10	24
209114	22	17
209118	22	18
210011	24	1
210014	24	3
210017	22	11
210017	22	23
210019	10	14
210019	24	11
210021	10	17
210021	24	11
210022	10	4
210023	10	19
210023	22	26
210025	22	1
210026	22	2
210026	24	2
210027	22	3
210028	22	6
210029	22	9
210030	22	11
210032	22	24
210033	22	25
210034	22	21
210035	22	22
210036	24	6
210037	24	1
210039	24	3
210040	24	6
210041	24	10
210042	24	10
210049	22	16
210050	22	14
210055	22	13
210056	22	8
210057	22	19
210058	22	14
210059	22	5
210060	22	10
210070	9	17
210071	9	28
213005	8	9
213006	8	5
213009	8	10
213011	14	4
213015	10	25
219003	2	14
220004	12	9
220005	12	
220006	12	

Part No.	PG	ITEM
221007	12	11
221008	12	8
222006	12	3
222007	12	
222008	12	
222010	12	18
222011	12	20
222012	12	7
222013	12	10
229005	12	16
230020	2	35
230020	8	24
230023	8	11
230024	8	1
302605	22	4
304202	12	13
305616	8	3
308190	8	25
521002	16	3
521003	16	2
521004	16	5
521005	16	6
521006	16	7
521007	16	8
521008	16	10
521009	16	11
521010	16	13
521011	16	14
521013	6	3
521018	6	6
521019	6	5
521020	6	4
521028	6	36
521029	6	19
521030	6	18
521034	6	20
521048	2	12
521051	2	7
521052	6	
521083	8	22
521084	8	23
521084R	8	
521085	8	21
521093	6	35
521102	4	6
521103	12	6
521116	18	10
521116	20	1
521120	20	12
521122	18	23
521126	18	8
521127	18	19
521127	20	3
521129	18	20

Part No.	PG	ITEM
521130	18	21
521137	20	5
521323	10	3
521345	12	12
521346	4	12
521362	18	3
521362	20	7
521390	18	22
521398	6	
521399	18	7
521400	6	7
521401	6	24
521404	6	26
521405	6	34
521413	12	4
521420	18	1
521422	4	10
521428	18	12
521431	4	7
521432	6	1
521432	10	1
521432	18	
521433	6	2
521433	18	6
521434	18	4
521435	18	15
521436	18	13
521438	16	
521439	18	17
521440	18	16
521441	18	18
521442	18	14
521443	18	9
521444	18	5
521445	16	9
521450	24	4
521450	24	4
521451	22	5
521451	22	7
521451	24	5
521451	24	5
521455	22	17
521455	22	16
521455	24	8
521455	24	8
521460	24	2
521463	22	15
521463	22	15
521463	24	7
521463	24	7
521467	22	18
521467	22	20
521467	24	9
521467	24	9

Part No.	PG	ITEM
521468	22	6
521469	22	7
521470	22	12
521471	22	13
521472	22	19
521473	22	20
521474	10	2
521474	22	21
521481	20	4
521482	18	11
521482	20	6
521483	20	8
521486	20	11
521487	20	13
521488	20	14
521489	20	15
521491	18	2
521491	20	19
521492	16	
521493	6	27
521494	6	28
521495	6	30
521497	10	15
521741	8	13
521744	6	29
521747	6	31
521747	8	19
521748	6	33
521756	8	14
521757	8	15
521758	8	16
521759	8	17
521760	8	18
521761	8	4
521762	8	20
521764	10	16
521770	12	14
521774	6	11
521775	16	4
521777	16	16
521781	22	8
521793	20	17
521794	20	2
521796	20	16
521797	20	18
521800	22	1
521801	22	2
521802	22	3
521803	22	4
521805	22	9
521821	22	10
521821	22	12
521831	6	9
521844	6	23

Part No.	PG	ITEM
521857	2	11
522208	10	21
522400	6	15
522413	10	22
522414	2	16
522426	20	20
523011	4	28
523019	4	29
523024	4	
523030	14	7
523033	4	
523033	12	1
523034	4	17
523034	12	5
523035	4	2
523037	10	6
523041	14	3
523045	14	8
523050	14	1
523051	2	28
523058	4	25
523061	2	21
523061	10	13
523064	2	30
523065	4	32
523065	10	5
523067	10	10
523073	4	16
523075	2	18
523075	10	18
523082	2	32
523085	10	9
523085	12	19
523088	2	20
523094	2	24
523130	2	6
523130	4	24
523130	12	2
523131	2	10
523131	14	5
523132	4	5
523133	2	1
523133	8	7
523136	2	4
523138	2	22
523138	4	31
523141	4	11
523141	6	12
523143	2	13
523145	4	
523149	6	10
523150	6	22
523151	4	14
523153	4	8

Part No.	PG	ITEM
523154	4	18
523155	4	22
523158	2	27
523165	11	27
523169	10	12
523170	2	5
523170	8	12
523171	2	19
523171	8	
523173	2	26
523182	9	18
523502	4	26
600512	4	3